



**SEP ELECTRONIC CORP.**

*Edition 1.5*

# **SHORT FORM CATALOG**

<http://www.sep-semi.com>



*Reliable Manufacturer of Power Semiconductor*

# Table of Contents

## General Purpose Rectifiers

1.0 AMP General Purpose Rectifiers .....	4
1.5 AMP General Purpose Rectifiers .....	4
2.0 AMP General Purpose Rectifiers .....	5
3.0 AMP General Purpose Rectifiers .....	5
6.0 AMP General Purpose Rectifiers .....	5

## Fast Recovery Rectifiers

1.0 AMP Fast Recovery Rectifiers .....	8
2.0 AMP Fast Recovery Rectifiers .....	8
3.0 AMP Fast Recovery Rectifiers .....	9
6.0 AMP Fast Recovery Rectifiers .....	9

## Super Fast Recovery Rectifiers

1.0 AMP Super Fast Recovery Rectifiers .....	12
2.0 AMP Super Fast Recovery Rectifiers .....	12
3.0 AMP Super Fast Recovery Rectifiers .....	12
5.0 AMP Super Fast Recovery Rectifiers .....	12
6.0 AMP Super Fast Recovery Rectifiers .....	12

## High Efficiency Rectifiers

1.0 AMP High Efficiency Rectifiers .....	14
1.5 AMP High Efficiency Rectifiers .....	14
2.0 AMP High Efficiency Rectifiers .....	14
3.0 AMP High Efficiency Rectifiers .....	14
5.0 AMP High Efficiency Rectifiers .....	14

## Schottky Barrier Rectifiers

1.0 AMP Schottky Barrier Rectifiers .....	16
2.0 AMP Schottky Barrier Rectifiers .....	16
3.0 AMP Schottky Barrier Rectifiers .....	16
5.0 AMP Schottky Barrier Rectifiers .....	16
8.0 AMP Schottky Barrier Rectifiers .....	17
10.0 AMP Schottky Barrier Rectifiers .....	17
16.0 AMP Schottky Barrier Rectifiers .....	17

## High Voltage Rectifiers

0.75 AMP High Voltage Silicon Rectifiers .....	20
--	----

## Bridge Rectifiers

0.5 AMP Bridge Rectifiers .....	22
1.0 AMP Bridge Rectifiers .....	22
1.5 AMP Bridge Rectifiers .....	23
2.0 AMP Bridge Rectifiers .....	24
3.0 AMP Bridge Rectifiers .....	24
4.0 AMP Bridge Rectifiers .....	25
5.0 AMP Bridge Rectifiers .....	25
6.0 AMP Bridge Rectifiers .....	26
8.0 AMP Bridge Rectifiers .....	27
10.0 AMP Bridge Rectifiers .....	28
15.0 AMP Bridge Rectifiers .....	30
25.0 AMP Bridge Rectifiers .....	32
35.0 AMP Bridge Rectifiers .....	34
40.0 AMP Bridge Rectifiers .....	35
50.0 AMP Bridge Rectifiers .....	35

## Transient Voltage Suppressor

400W Transient Voltage Suppressor .....	38
500W Transient Voltage Suppressor .....	39
600W Transient Voltage Suppressor .....	40
1500W Transient Voltage Suppressor .....	41
5000W Transient Voltage Suppressor .....	42

## Switching Diodes

500 mWatts Switching Diodes .....	44
-----------------------------------	----

## Appendix

Outline Drawing .....	46
Product Carton Specification .....	55



# General Purpose Rectifiers

1.0 AMP General Purpose Rectifiers .....	4
1.5 AMP General Purpose Rectifiers .....	4
2.0 AMP General Purpose Rectifiers .....	5
3.0 AMP General Purpose Rectifiers .....	5
6.0 AMP General Purpose Rectifiers .....	5

**General Purpose Rectifiers**

Part Number	Peak Repetitive Reverse Voltage	Max. Average Rectified Current		Max. Peak Forward Surge Current	Forward Voltage Drop		Max. Reverse Current		Package
	$V_{RRM}$	$I_O@T$		$I_{FSM}$	$V_F@I_F$		$I_R@V_R$		
	V	A	°C	A	V	A	µA	V	
<b>1.0 AMP General Purpose Rectifiers</b>									
1A1	50	1	25	30	1.1	1	5	50	R-1
1A2	100	1	25	30	1.1	1	5	100	R-1
1A3	200	1	25	30	1.1	1	5	200	R-1
1A4	400	1	25	30	1.1	1	5	400	R-1
1A5	600	1	25	30	1.1	1	5	600	R-1
1A6	800	1	25	30	1.1	1	5	800	R-1
1A7	1000	1	25	30	1.1	1	5	1000	R-1
1N4001	50	1	75	30	1	1	5	50	DO-41
1N4002	100	1	75	30	1	1	5	100	DO-41
1N4003	200	1	75	30	1	1	5	200	DO-41
1N4004	400	1	75	30	1	1	5	400	DO-41
1N4005	600	1	75	30	1	1	5	600	DO-41
1N4006	800	1	75	30	1	1	5	800	DO-41
1N4007	1000	1	75	30	1	1	5	1000	DO-41
BY135	200	1	75	30	1.1	1	5	200	DO-41
BY134	600	1	75	30	1.1	1	5	600	DO-41
BY133	1300	1	75	30	1.1	1	5	1300	DO-41
<b>1.0 AMP General Purpose Rectifiers</b>									
M1	50	1	100	30	1.1	1	5	50	SMA/DO-214AC
M2	100	1	100	30	1.1	1	5	100	SMA/DO-214AC
M3	200	1	100	30	1.1	1	5	200	SMA/DO-214AC
M4	400	1	100	30	1.1	1	5	400	SMA/DO-214AC
M5	600	1	100	30	1.1	1	5	600	SMA/DO-214AC
M6	800	1	100	30	1.1	1	5	800	SMA/DO-214AC
M7	1000	1	100	30	1.1	1	5	1000	SMA/DO-214AC
SM4001	50	1	100	30	1.1	1	5	50	SMA/DO-214AC
SM4002	100	1	100	30	1.1	1	5	100	SMA/DO-214AC
SM4003	200	1	100	30	1.1	1	5	200	SMA/DO-214AC
SM4004	400	1	100	30	1.1	1	5	400	SMA/DO-214AC
SM4005	600	1	100	30	1.1	1	5	600	SMA/DO-214AC
SM4006	800	1	100	30	1.1	1	5	800	SMA/DO-214AC
SM4007	1000	1	100	30	1.1	1	5	1000	SMA/DO-214AC
LL4001	50	1	100	30	1.1	1	5	50	MELF
LL4002	100	1	100	30	1.1	1	5	100	MELF
LL4003	200	1	100	30	1.1	1	5	200	MELF
LL4004	400	1	100	30	1.1	1	5	400	MELF
LL4005	600	1	100	30	1.1	1	5	600	MELF
LL4006	800	1	100	30	1.1	1	5	800	MELF
LL4007	1000	1	100	30	1.1	1	5	1000	MELF
<b>1.5 AMP General Purpose Rectifiers</b>									
1N5391	50	1.5	75	50	1.1	1.5	5	50	DO-41
1N5392	100	1.5	75	50	1.1	1.5	5	100	DO-41
1N5393	200	1.5	75	50	1.1	1.5	5	200	DO-41
1N5395	400	1.5	75	50	1.1	1.5	5	400	DO-41
1N5397	600	1.5	75	50	1.1	1.5	5	600	DO-41
1N5398	800	1.5	75	50	1.1	1.5	5	800	DO-41
1N5399	1000	1.5	75	50	1.1	1.5	5	1000	DO-41



**General Purpose Rectifiers**

Part Number	Peak Repetitive Reverse Voltage	Max. Average Rectified Current		Max. Peak Forward Surge Current	Forward Voltage Drop		Max. Reverse Current		Package
	$V_{RRM}$	$I_O@T$		$I_{FSM}$	$V_F@I_F$		$I_R@V_R$		
	V	A	°C	A	V	A	μA	V	
<b>1.5 AMP General Purpose Rectifiers</b>									
SM5391	50	1.5	100	50	1.1	1.5	5.0	50	SMA/DO-214AC
SM5392	100	1.5	100	50	1.1	1.5	5.0	100	SMA/DO-214AC
SM5393	200	1.5	100	50	1.1	1.5	5.0	200	SMA/DO-214AC
SM5395	400	1.5	100	50	1.1	1.5	5.0	400	SMA/DO-214AC
SM5397	600	1.5	100	50	1.1	1.5	5.0	600	SMA/DO-214AC
SM5398	800	1.5	100	50	1.1	1.5	5.0	800	SMA/DO-214AC
SM5399	1000	1.5	100	50	1.1	1.5	5.0	1000	SMA/DO-214AC
<b>2.0 AMP General Purpose Rectifiers</b>									
RL201	50	2.0	75	70	1.1	2.0	5.0	50	DO-15
RL202	100	2.0	75	70	1.1	2.0	5.0	100	DO-15
RL203	200	2.0	75	70	1.1	2.0	5.0	200	DO-15
RL204	400	2.0	75	70	1.1	2.0	5.0	400	DO-15
RL205	600	2.0	75	70	1.1	2.0	5.0	600	DO-15
RL206	800	2.0	75	70	1.1	2.0	5.0	800	DO-15
RL207	1000	2.0	75	70	1.1	2.0	5.0	1000	DO-15
<b>2.0 AMP General Purpose Rectifiers</b>									
S2A	50	2.0	80	50	1.15	2.0	5.0	50	SMB/DO-214AA
S2B	100	2.0	80	50	1.15	2.0	5.0	100	SMB/DO-214AA
S2D	200	2.0	80	50	1.15	2.0	5.0	200	SMB/DO-214AA
S2G	400	2.0	80	50	1.15	2.0	5.0	400	SMB/DO-214AA
S2J	600	2.0	80	50	1.15	2.0	5.0	600	SMB/DO-214AA
S2K	800	2.0	80	50	1.15	2.0	5.0	800	SMB/DO-214AA
S2M	1000	2.0	80	50	1.15	2.0	5.0	100	SMB/DO-214AA
<b>3.0 AMP General Purpose Rectifiers</b>									
1N5400	50	3.0	75	200	1.0	3.0	5.0	50	DO-27
1N5401	100	3.0	75	200	1.0	3.0	5.0	100	DO-27
1N5402	200	3.0	75	200	1.0	3.0	5.0	200	DO-27
1N5404	400	3.0	75	200	1.0	3.0	5.0	400	DO-27
1N5406	600	3.0	75	200	1.0	3.0	5.0	600	DO-27
1N5407	800	3.0	75	200	1.0	3.0	5.0	800	DO-27
1N5408	1000	3.0	75	200	1.0	3.0	5.0	1000	DO-27
<b>3.0 AMP General Purpose Rectifiers</b>									
S3A	50	3.0	40	100	1.15	3.0	5.0	50	SMC/DO-214AB
S3B	100	3.0	40	100	1.15	3.0	5.0	100	SMC/DO-214AB
S3D	200	3.0	40	100	1.15	3.0	5.0	200	SMC/DO-214AB
S3G	400	3.0	40	100	1.15	3.0	5.0	400	SMC/DO-214AB
S3J	600	3.0	40	100	1.15	3.0	5.0	600	SMC/DO-214AB
S3K	800	3.0	40	100	1.15	3.0	5.0	800	SMC/DO-214AB
S3M	1000	3.0	40	100	1.15	3.0	5.0	100	SMC/DO-214AB
<b>6.0 AMP General Purpose Rectifiers</b>									
P600A	50	6.0	75	400	1.0	6.0	5.0	50	R-6
P600B	100	6.0	75	400	1.0	6.0	5.0	100	R-6
P600D	200	6.0	75	400	1.0	6.0	5.0	200	R-6
P600G	400	6.0	75	400	1.0	6.0	5.0	400	R-6
P600J	600	6.0	75	400	1.0	6.0	5.0	600	R-6
P600K	800	6.0	75	400	1.0	6.0	5.0	800	R-6
P600M	1000	6.0	75	400	1.0	6.0	5.0	1000	R-6
6A05	50	6.0	75	400	1.0	6.0	5.0	50	R-6
6A1	100	6.0	75	400	1.0	6.0	5.0	100	R-6
6A2	200	6.0	75	400	1.0	6.0	5.0	200	R-6
6A4	400	6.0	75	400	1.0	6.0	5.0	400	R-6
6A6	600	6.0	75	400	1.0	6.0	5.0	600	R-6
6A8	800	6.0	75	400	1.0	6.0	5.0	800	R-6
6A10	1000	6.0	75	400	1.0	6.0	5.0	1000	R-6







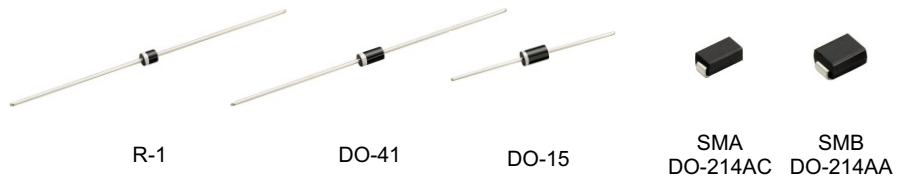
# Fast Recovery Rectifiers

1.0 AMP Fast Recovery Rectifiers .....	8
2.0 AMP Fast Recovery Rectifiers .....	8
3.0 AMP Fast Recovery Rectifiers .....	9
6.0 AMP Fast Recovery Rectifiers .....	9



## Fast Recovery Rectifiers

Part Number	Peak Repetitive Reverse Voltage	Reverse Recovery Time	Max. Average Rectified Current		Max. Peak Forward Surge Current	Forward Voltage Drop		Max. Reverse Current		Package
	$V_{RRM}$	$T_{RR}$	$I_O@T$		$I_{FSM}$	$V_F@I_F$		$I_R@V_R$		
	V	nS	A	°C	A	V	A	μA	V	
<b>1.0 AMP Fast Recovery Rectifiers</b>										
1F1	50	150	1.0	25	25	1.3	1.0	5.0	50	R-1
1F2	100	150	1.0	25	25	1.3	1.0	5.0	100	R-1
1F3	200	150	1.0	25	25	1.3	1.0	5.0	200	R-1
1F4	400	150	1.0	25	25	1.3	1.0	5.0	400	R-1
1F5	600	250	1.0	25	25	1.3	1.0	5.0	600	R-1
1F6	800	500	1.0	25	25	1.3	1.0	5.0	800	R-1
1F7	1000	500	1.0	25	25	1.3	1.0	5.0	1000	R-1
FR101	50	150	1.0	75	30	1.3	1.0	5.0	50	DO-41
FR102	100	150	1.0	75	30	1.3	1.0	5.0	100	DO-41
FR103	200	150	1.0	75	30	1.3	1.0	5.0	200	DO-41
FR104	400	150	1.0	75	30	1.3	1.0	5.0	400	DO-41
FR105	600	250	1.0	75	30	1.3	1.0	5.0	600	DO-41
FR106	800	500	1.0	75	30	1.3	1.0	5.0	800	DO-41
FR107	1000	500	1.0	75	30	1.3	1.0	5.0	1000	DO-41
1N4933	50	200	1.0	75	30	1.3	1.0	5.0	50	DO-41
1N4934	100	200	1.0	75	30	1.3	1.0	5.0	100	DO-41
1N4935	200	200	1.0	75	30	1.3	1.0	5.0	200	DO-41
1N4936	400	200	1.0	75	30	1.3	1.0	5.0	400	DO-41
1N4937	600	200	1.0	75	30	1.3	1.0	5.0	600	DO-41
BA157	400	150	1.0	75	30	1.3	1.0	5.0	400	DO-41
BA158	600	250	1.0	75	30	1.3	1.0	5.0	600	DO-41
BA159	1000	500	1.0	75	30	1.3	1.0	5.0	1000	DO-41
<b>1.0 AMP Fast Recovery Rectifiers</b>										
SM4933	50	150	1.0	75	30	1.3	1.0	5.0	50	SMA/DO-214AC
SM4934	100	150	1.0	75	30	1.3	1.0	5.0	100	SMA/DO-214AC
SM4935	200	150	1.0	75	30	1.3	1.0	5.0	200	SMA/DO-214AC
SM4936	400	150	1.0	75	30	1.3	1.0	5.0	400	SMA/DO-214AC
SM4937	600	150	1.0	75	30	1.3	1.0	5.0	600	SMA/DO-214AC
<b>2.0 AMP Fast Recovery Rectifiers</b>										
FR201	50	150	2.0	75	70	1.3	2.0	5.0	50	DO-15
FR202	100	150	2.0	75	70	1.3	2.0	5.0	100	DO-15
FR203	200	150	2.0	75	70	1.3	2.0	5.0	200	DO-15
FR204	400	150	2.0	75	70	1.3	2.0	5.0	400	DO-15
FR205	600	250	2.0	75	70	1.3	2.0	5.0	600	DO-15
FR206	800	500	2.0	75	70	1.3	2.0	5.0	800	DO-15
FR207	1000	500	2.0	75	70	1.3	2.0	5.0	1000	DO-15
<b>2.0 AMP Fast Recovery Rectifiers</b>										
FR2A	50	150	2.0	90	50	1.3	2.0	5.0	50	SMB/DO-214AA
FR2B	100	150	2.0	90	50	1.3	2.0	5.0	100	SMB/DO-214AA
FR2D	200	150	2.0	90	50	1.3	2.0	5.0	200	SMB/DO-214AA
FR2G	400	150	2.0	90	50	1.3	2.0	5.0	400	SMB/DO-214AA
FR2J	600	250	2.0	90	50	1.3	2.0	5.0	600	SMB/DO-214AA
FR2K	800	500	2.0	90	50	1.3	2.0	5.0	800	SMB/DO-214AA



### Fast Recovery Rectifiers

Part Number	Peak Repetitive Reverse Voltage	Reverse Recovery Time	Max. Average Rectified Current		Max. Peak Forward Surge Current	Forward Voltage Drop		Max. Reverse Current		Package
	$V_{RRM}$	$T_{RR}$	$I_O@T$		$I_{FSM}$	$V_F@I_F$		$I_R@V_R$		
	V	nS	A	°C	A	V	A	μA	V	
<b>3.0 AMP Fast Recovery Rectifiers</b>										
FR301	50	150	3.0	75	200	1.3	3.0	5.0	50	DO-27
FR302	100	150	3.0	75	200	1.3	3.0	5.0	100	DO-27
FR303	200	150	3.0	75	200	1.3	3.0	5.0	200	DO-27
FR304	400	150	3.0	75	200	1.3	3.0	5.0	400	DO-27
FR305	600	250	3.0	75	200	1.3	3.0	5.0	600	DO-27
FR306	800	500	3.0	75	200	1.3	3.0	5.0	800	DO-27
FR307	1000	500	3.0	75	200	1.3	3.0	5.0	100	DO-27
<b>3.0 AMP Fast Recovery Rectifiers</b>										
BY396	100	150	3.0	75	200	1.3	3.0	10.0	100	DO-27
BY397	200	150	3.0	75	200	1.3	3.0	10.0	200	DO-27
BY398	400	150	3.0	75	200	1.3	3.0	10.0	400	DO-27
BY399	800	500	3.0	75	200	1.3	3.0	10.0	800	DO-27
<b>3.0 AMP Fast Recovery Rectifiers</b>										
FR3A	50	150	3.0	75	100	1.3	3.0	10.0	50	SMC/DO-214AB
FR3B	100	150	3.0	75	100	1.3	3.0	10.0	100	SMC/DO-214AB
FR3D	200	150	3.0	75	100	1.3	3.0	10.0	200	SMC/DO-214AB
FR3G	400	150	3.0	75	100	1.3	3.0	10.0	400	SMC/DO-214AB
FR3J	600	250	3.0	75	100	1.3	3.0	10.0	600	SMC/DO-214AB
FR3K	800	500	3.0	75	100	1.3	3.0	10.0	800	SMC/DO-214AB
<b>6.0 AMP Fast Recovery Rectifiers</b>										
FR601	50	150	6.0	75	300	1.3	6.0	5.0	50	R-6
FR602	100	150	6.0	75	300	1.3	6.0	5.0	100	R-6
FR603	200	150	6.0	75	300	1.3	6.0	5.0	200	R-6
FR604	400	150	6.0	75	300	1.3	6.0	5.0	400	R-6
FR605	600	250	6.0	75	300	1.3	6.0	5.0	600	R-6
FR606	800	500	6.0	75	300	1.3	6.0	5.0	800	R-6
FR607	1000	500	6.0	75	300	1.3	6.0	5.0	100	R-6





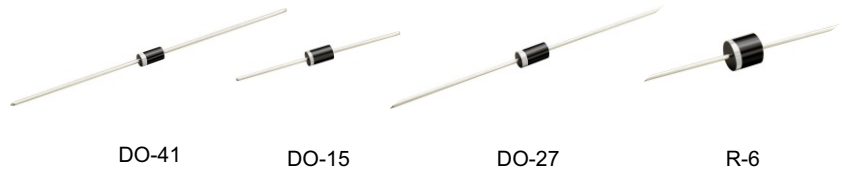


# Super Fast Recovery Rectifiers

- 1.0 AMP Super Fast Recovery Rectifiers ..... 12
- 2.0 AMP Super Fast Recovery Rectifiers ..... 12
- 3.0 AMP Super Fast Recovery Rectifiers ..... 12
- 5.0 AMP Super Fast Recovery Rectifiers ..... 12
- 6.0 AMP Super Fast Recovery Rectifiers ..... 12

### Super Fast Recovery Rectifiers

Part Number	Peak Repetitive Reverse Voltage	Reverse Recovery Time	Max. Average Rectified Current		Max. Peak Forward Surge Current	Forward Voltage Drop		Max. Reverse Current		Package
	$V_{RRM}$	$T_{RR}$	$I_O@T$		$I_{FSM}$	$V_F@I_F$		$I_R@V_R$		
	V	nS	A	°C	A	V	A	μA	V	
<b>1.0 AMP Super Fast Recovery Rectifiers</b>										
SF11	50	35	1.0	55	30	0.95	1.0	10.0	50	DO-41
SF12	100	35	1.0	55	30	0.95	1.0	10.0	100	DO-41
SF13	150	35	1.0	55	30	0.95	1.0	10.0	150	DO-41
SF14	200	35	1.0	55	30	0.95	1.0	10.0	200	DO-41
SF15	300	35	1.0	55	30	1.25	1.0	10.0	300	DO-41
SF16	400	35	1.0	55	30	1.25	1.0	10.0	400	DO-41
SF17	600	35	1.0	55	30	1.50	1.0	10.0	600	DO-41
<b>2.0 AMP Super Fast Recovery Rectifiers</b>										
SF21	50	35	2.0	55	60	0.95	2.0	10.0	50	DO-15
SF22	100	35	2.0	55	60	0.95	2.0	10.0	100	DO-15
SF23	150	35	2.0	55	60	0.95	2.0	10.0	150	DO-15
SF24	200	35	2.0	55	60	0.95	2.0	10.0	200	DO-15
SF25	300	35	2.0	55	60	1.25	2.0	10.0	300	DO-15
SF26	400	35	2.0	55	60	1.25	2.0	10.0	400	DO-15
SF27	600	35	2.0	55	60	1.50	2.0	10.0	600	DO-15
<b>3.0 AMP Super Fast Recovery Rectifiers</b>										
SF31	50	35	3.0	55	125	0.95	3.0	10.0	50	DO-27
SF32	100	35	3.0	55	125	0.95	3.0	10.0	100	DO-27
SF33	150	35	3.0	55	125	0.95	3.0	10.0	150	DO-27
SF34	200	35	3.0	55	125	0.95	3.0	10.0	200	DO-27
SF35	300	35	3.0	55	125	1.25	3.0	10.0	300	DO-27
SF36	400	35	3.0	55	125	1.25	3.0	10.0	400	DO-27
SF37	600	35	3.0	55	125	1.50	3.0	10.0	600	DO-27
<b>5.0 AMP Super Fast Recovery Rectifiers</b>										
SF51	50	35	5.0	55	150	0.95	5.0	10.0	50	DO-27
SF52	100	35	5.0	55	150	0.95	5.0	10.0	100	DO-27
SF53	150	35	5.0	55	150	0.95	5.0	10.0	150	DO-27
SF54	200	35	5.0	55	150	0.95	5.0	10.0	200	DO-27
SF55	300	35	5.0	55	150	1.25	5.0	10.0	300	DO-27
SF56	400	35	5.0	55	150	1.25	5.0	10.0	400	DO-27
SF57	600	35	5.0	55	150	1.50	5.0	10.0	600	DO-27
<b>6.0 AMP Super Fast Recovery Rectifiers</b>										
SF61	50	35	6.0	55	150	0.95	6.0	10.0	50	DO-27
SF62	100	35	6.0	55	150	0.95	6.0	10.0	100	DO-27
SF63	150	35	6.0	55	150	0.95	6.0	10.0	150	DO-27
SF64	200	35	6.0	55	150	0.95	6.0	10.0	200	DO-27
SF65	300	35	6.0	55	150	1.25	6.0	10.0	300	DO-27
SF66	400	35	6.0	55	150	1.25	6.0	10.0	400	DO-27
SF67	600	35	6.0	55	150	1.50	6.0	10.0	600	DO-27



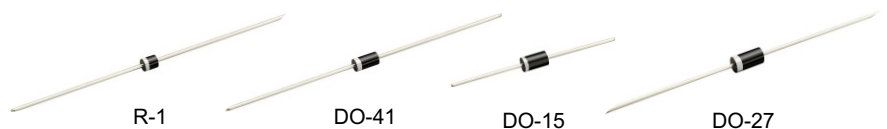


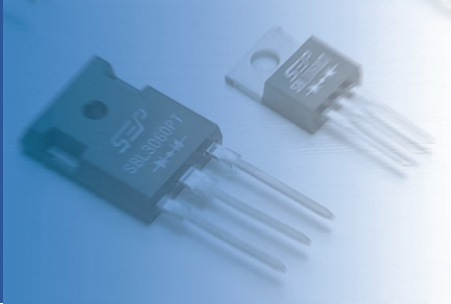
# High Efficiency Rectifiers

1.0 AMP High Efficiency Rectifiers .....	14
1.5 AMP High Efficiency Rectifiers .....	14
2.0 AMP High Efficiency Rectifiers .....	14
3.0 AMP High Efficiency Rectifiers .....	14
5.0 AMP High Efficiency Rectifiers .....	14

## High Efficiency Rectifiers

Part Number	Peak Repetitive Reverse Voltage	Reverse Recovery Time	Max. Average Rectified Current		Max. Peak Forward Surge Current (t)	Forward Voltage Drop		Max. Reverse Current		Package
	$V_{RRM}$	$T_{RR}$	$I_O@T$		$I_{FSM}$	$V_F@I_F$		$I_R@V_R$		
	V	nS	A	°C	A	V	A	µA	V	
<b>1.0 AMP High Efficiency Rectifiers</b>										
1H1	50	50	1.0	55	30	1.00	1.0	5.0	50	R-1
1H2	100	50	1.0	55	30	1.00	1.0	5.0	100	R-1
1H3	200	50	1.0	55	30	1.00	1.0	5.0	200	R-1
1H4	300	50	1.0	55	30	1.00	1.0	5.0	300	R-1
1H5	400	50	1.0	55	30	1.30	1.0	5.0	400	R-1
1H6	600	75	1.0	55	30	1.70	1.0	5.0	600	R-1
1H7	800	75	1.0	55	30	1.70	1.0	5.0	800	R-1
1H8	1000	75	1.0	55	30	1.70	1.0	5.0	1000	R-1
UF4001	50	50	1.0	55	30	1.30	1.0	10.0	50	DO-41
UF4002	100	50	1.0	55	30	1.30	1.0	10.0	100	DO-41
UF4003	200	50	1.0	55	30	1.30	1.0	10.0	200	DO-41
UF4004	400	50	1.0	55	30	1.30	1.0	10.0	400	DO-41
UF4005	600	75	1.0	55	30	1.70	1.0	10.0	600	DO-41
UF4006	800	75	1.0	55	30	1.70	1.0	10.0	800	DO-41
UF4007	1000	75	1.0	55	30	1.70	1.0	10.0	1000	DO-41
HER101	50	50	1.0	55	30	1.00	1.0	5.0	50	DO-41
HER102	100	50	1.0	55	30	1.00	1.0	5.0	100	DO-41
HER103	200	50	1.0	55	30	1.00	1.0	5.0	200	DO-41
HER104	300	50	1.0	55	30	1.30	1.0	5.0	300	DO-41
HER105	400	50	1.0	55	30	1.30	1.0	5.0	400	DO-41
HER106	600	75	1.0	55	30	1.85	1.0	5.0	600	DO-41
HER107	800	75	1.0	55	30	1.85	1.0	5.0	800	DO-41
HER108	1000	75	1.0	55	30	1.85	1.0	5.0	1000	DO-41
<b>1.5 AMP High Efficiency Rectifiers</b>										
HER151	50	50	1.5	55	50	1.00	1.5	10.0	50	DO-15
HER152	100	50	1.5	55	50	1.00	1.5	10.0	100	DO-15
HER153	200	50	1.5	55	50	1.00	1.5	10.0	200	DO-15
HER154	300	50	1.5	55	50	1.30	1.5	10.0	300	DO-15
HER155	400	50	1.5	55	50	1.30	1.5	10.0	400	DO-15
HER156	600	75	1.5	55	50	1.85	1.5	10.0	600	DO-15
HER157	800	75	1.5	55	50	1.85	1.5	10.0	800	DO-15
HER158	1000	75	1.5	55	50	1.85	1.5	10.0	1000	DO-15
<b>2.0 AMP High Efficiency Rectifiers</b>										
HER201	50	50	2.0	55	60	1.00	2.0	10.0	50	DO-15
HER202	100	50	2.0	55	60	1.00	2.0	10.0	100	DO-15
HER203	200	50	2.0	55	60	1.00	2.0	10.0	200	DO-15
HER204	300	50	2.0	55	60	1.30	2.0	10.0	300	DO-15
HER205	400	50	2.0	55	60	1.30	2.0	10.0	400	DO-15
HER206	600	70	2.0	55	60	1.85	2.0	10.0	600	DO-15
HER207	800	70	2.0	55	60	1.85	2.0	10.0	800	DO-15
HER208	1000	70	2.0	55	60	1.85	2.0	10.0	1000	DO-15
<b>3.0 AMP High Efficiency Rectifiers</b>										
UF5400	50	50	3.0	55	150	1.30	3.0	10.0	50	DO-27
UF5401	100	50	3.0	55	150	1.30	3.0	10.0	100	DO-27
UF5402	200	50	3.0	55	150	1.30	3.0	10.0	200	DO-27
UF5403	300	50	3.0	55	150	1.30	3.0	10.0	300	DO-27
UF5404	400	50	3.0	55	150	1.30	3.0	10.0	400	DO-27
UF5406	600	75	3.0	55	150	1.70	3.0	10.0	600	DO-27
UF5407	800	75	3.0	55	150	1.70	3.0	10.0	800	DO-27
UF5408	1000	75	3.0	55	150	1.70	3.0	10.0	1000	DO-27
HER301	50	50	3.0	50	150	1.00	3.0	10.0	50	DO-27
HER302	100	50	3.0	50	150	1.00	3.0	10.0	100	DO-27
HER303	200	50	3.0	50	150	1.00	3.0	10.0	200	DO-27
HER304	300	50	3.0	50	150	1.30	3.0	10.0	300	DO-27
HER305	400	50	3.0	50	150	1.30	3.0	10.0	400	DO-27
HER306	600	70	3.0	50	150	1.85	3.0	10.0	600	DO-27
HER307	800	70	3.0	50	150	1.85	3.0	10.0	800	DO-27
HER308	1000	70	3.0	50	150	1.85	3.0	10.0	1000	DO-27
<b>5.0 AMP High Efficiency Rectifiers</b>										
HER501	50	50	5.0	50	200	1.00	5.0	10.0	50	DO-27
HER502	100	50	5.0	50	200	1.00	5.0	10.0	100	DO-27
HER503	200	50	5.0	50	200	1.00	5.0	10.0	200	DO-27
HER504	300	50	5.0	50	200	1.30	5.0	10.0	300	DO-27
HER505	400	50	5.0	50	200	1.30	5.0	10.0	400	DO-27
HER506	600	70	5.0	50	200	1.85	5.0	10.0	600	DO-27
HER507	800	70	5.0	50	200	1.85	5.0	10.0	800	DO-27
HER508	1000	70	5.0	50	200	1.85	5.0	10.0	1000	DO-27





# Schottky Barrier Rectifiers

1.0 AMP Schottky Barrier Rectifiers .....	16
2.0 AMP Schottky Barrier Rectifiers .....	16
3.0 AMP Schottky Barrier Rectifiers .....	16
5.0 AMP Schottky Barrier Rectifiers .....	16
8.0 AMP Schottky Barrier Rectifiers .....	17
10.0 AMP Schottky Barrier Rectifiers .....	17
16.0 AMP Schottky Barrier Rectifiers .....	17



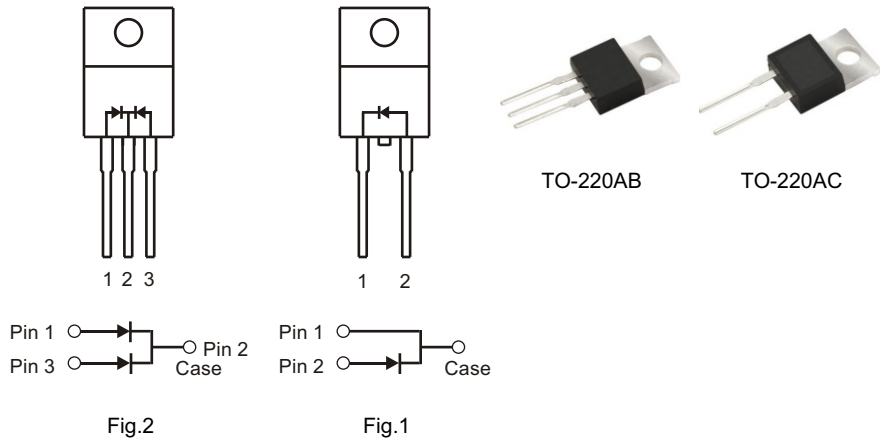
### Schottky Barrier Rectifiers

Part Number	Peak Repetitive Reverse Voltage	Max. Average Rectified Current		Max. Peak Forward Surge Current	Forward Voltage Drop		Max. Reverse Current		Package
	$V_{RRM}$	$I_o@T$		$I_{FSM}$	$V_F@I_F$		$I_R@V_R$		
	V	A	°C	A	V	A	μA	V	
<b>1.0 AMP Schottky Barrier Rectifiers</b>									
SR120	20	1.0	75	30	0.45	1.0	1.0	20	DO-41
SR130	30	1.0	75	30	0.55	1.0	1.0	30	DO-41
SR140	40	1.0	75	30	0.55	1.0	1.0	40	DO-41
SR150	50	1.0	100	30	0.70	1.0	1.0	50	DO-41
SR160	60	1.0	100	30	0.70	1.0	1.0	60	DO-41
SR180	80	1.0	100	30	0.85	1.0	1.0	80	DO-41
SR1100	100	1.0	100	30	0.85	1.0	1.0	100	DO-41
1N5817	20	1.0	90	25	0.45	1.0	1.0	20	DO-41
1N5818	30	1.0	90	25	0.55	1.0	1.0	30	DO-41
1N5819	40	1.0	90	25	0.60	1.0	1.0	40	DO-41
SS12	20	1.0	90	25	0.50	1.0	0.5	20	SMA/DO-214AC
SS14	40	1.0	90	25	0.50	1.0	0.5	40	SMA/DO-214AC
SS16	60	1.0	90	25	0.70	1.0	0.5	60	SMA/DO-214AC
SM5817	20	1.0	90	25	0.45	1.0	1.0	20	SMA/DO-214AC
SM5818	30	1.0	90	25	0.55	1.0	1.0	30	SMA/DO-214AC
SM5819	40	1.0	90	25	0.60	1.0	1.0	40	SMA/DO-214AC
<b>2.0 AMP Schottky Barrier Rectifiers</b>									
SR220	20	2.0	75	50	0.45	2.0	1.0	20	DO-15
SR230	30	2.0	75	50	0.55	2.0	1.0	30	DO-15
SR240	40	2.0	75	50	0.55	2.0	1.0	40	DO-15
SR250	50	2.0	100	50	0.70	2.0	1.0	50	DO-15
SR260	60	2.0	100	50	0.70	2.0	1.0	60	DO-15
SR280	80	2.0	100	50	0.85	2.0	1.0	80	DO-15
SR2100	100	2.0	100	50	0.85	2.0	1.0	100	DO-15
SS22	20	2.0	75	50	0.6	2.0	0.5	20	SMB/DO-214AC
SS24	40	2.0	75	50	0.6	2.0	0.5	40	SMB/DO-214AC
SS26	60	2.0	75	50	0.7	2.0	0.5	60	SMB/DO-214AC
<b>3.0 AMP Schottky Barrier Rectifiers</b>									
SR320	20	3.0	75	80	0.50	3.0	1.0	20	DO-27
SR330	30	3.0	75	80	0.50	3.0	1.0	30	DO-27
SR340	40	3.0	75	80	0.50	3.0	1.0	40	DO-27
SR350	50	3.0	100	80	0.74	3.0	1.0	50	DO-27
SR360	60	3.0	100	80	0.74	3.0	1.0	60	DO-27
SR380	80	3.0	100	80	0.85	3.0	1.0	80	DO-27
SR3100	100	3.0	100	80	0.85	3.0	1.0	100	DO-27
1N5820	20	3.0	75	80	0.475	3.0	3.0	20	DO-27
1N5821	30	3.0	75	80	0.500	3.0	3.0	30	DO-27
1N5822	40	3.0	75	80	0.525	3.0	3.0	40	DO-27
SS32	20	3.0	75	100	0.50	3.0	0.5	20	SMC/DO-214AB
SS34	40	3.0	75	100	0.50	3.0	0.5	30	SMC/DO-214AB
SS36	60	3.0	75	100	0.75	3.0	0.5	40	SMC/DO-214AB
<b>5.0 AMP Schottky Barrier Rectifiers</b>									
SR520	20	5.0	60	150	0.55	5.0	5.0	20	DO-27
SR530	30	5.0	60	150	0.55	5.0	5.0	30	DO-27
SR540	40	5.0	60	150	0.55	5.0	5.0	40	DO-27
SR550	50	5.0	85	150	0.70	5.0	5.0	50	DO-27
SR560	60	5.0	85	150	0.70	5.0	5.0	60	DO-27
SR580	80	5.0	85	150	0.85	5.0	5.0	80	DO-27
SR5100	100	5.0	85	150	0.85	5.0	5.0	100	DO-27

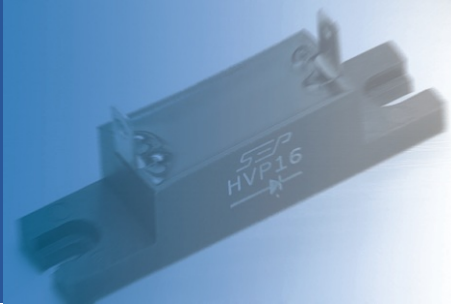


### Schottky Barrier Rectifiers

Part Number	Peak Repetitive Reverse Voltage	Max. Average Rectified Current		Max. Peak Forward Surge Current	Forward Voltage Drop		Max. Reverse Current		Package	Circuit Figure
	$V_{RRM}$	$I_o@T$		$I_{FSM}$	$V_F@I_F$		$I_R@V_R$			
	V	A	°C	A	V	A	µA	V		
<b>8.0 AMP Schottky Barrier Rectifiers</b>										
SBL830	30	8.0	90	200	0.55	8.0	0.5	30	TO-220AC	Fig.1
SBL835	35	8.0	90	200	0.55	8.0	0.5	35	TO-220AC	Fig.1
SBL840	40	8.0	90	200	0.55	8.0	0.5	40	TO-220AC	Fig.1
SBL845	45	8.0	90	200	0.55	8.0	0.5	45	TO-220AC	Fig.1
SBL850	50	8.0	115	200	0.70	8.0	0.5	50	TO-220AC	Fig.1
SBL860	60	8.0	115	200	0.70	8.0	0.5	60	TO-220AC	Fig.1
<b>10.0 AMP Schottky Barrier Rectifiers</b>										
SBL1030	30	10.0	95	250	0.60	5.0	1.0	30	TO-220AC	Fig.1
SBL1035	35	10.0	95	250	0.60	5.0	1.0	35	TO-220AC	Fig.1
SBL1040	40	10.0	95	250	0.60	5.0	1.0	40	TO-220AC	Fig.1
SBL1045	45	10.0	95	250	0.60	5.0	1.0	45	TO-220AC	Fig.1
SBL1050	50	10.0	120	250	0.75	5.0	1.0	50	TO-220AC	Fig.1
SBL1060	60	10.0	120	250	0.75	5.0	1.0	60	TO-220AC	Fig.1
SBL1030CT	30	10.0	95	175	0.55	5.0	0.5	30	TO-220AB	Fig.2
SBL1035CT	35	10.0	95	175	0.55	5.0	0.5	35	TO-220AB	Fig.2
SBL1040CT	40	10.0	95	175	0.55	5.0	0.5	40	TO-220AB	Fig.2
SBL1045CT	45	10.0	95	175	0.55	5.0	0.5	45	TO-220AB	Fig.2
SBL1050CT	50	10.0	120	175	0.70	5.0	0.5	50	TO-220AB	Fig.2
SBL1060CT	60	10.0	120	175	0.70	5.0	0.5	60	TO-220AB	Fig.2
<b>16.0 AMP Schottky Barrier Rectifiers</b>										
SBL1630	30	16.0	90	275	0.57	8.0	1.0	30	TO-220AC	Fig.1
SBL1635	35	16.0	90	275	0.57	8.0	1.0	35	TO-220AC	Fig.1
SBL1640	40	16.0	90	275	0.57	8.0	1.0	40	TO-220AC	Fig.1
SBL1645	45	16.0	90	275	0.57	8.0	1.0	45	TO-220AC	Fig.1
SBL1650	50	16.0	120	275	0.75	8.0	1.0	50	TO-220AC	Fig.1
SBL1660	60	16.0	120	275	0.75	8.0	1.0	60	TO-220AC	Fig.1
SBL1630CT	30	16.0	90	250	0.55	8.0	0.5	30	TO-220AB	Fig.2
SBL1635CT	35	16.0	90	250	0.55	8.0	0.5	35	TO-220AB	Fig.2
SBL1640CT	40	16.0	90	250	0.55	8.0	0.5	40	TO-220AB	Fig.2
SBL1645CT	45	16.0	90	250	0.55	8.0	0.5	45	TO-220AB	Fig.2
SBL1650CT	50	16.0	120	250	0.70	8.0	0.5	50	TO-220AB	Fig.2
SBL1660CT	60	16.0	120	250	0.70	8.0	0.5	60	TO-220AB	Fig.2





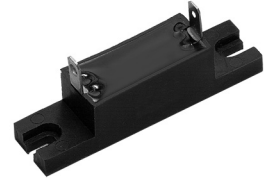


# High Voltage Rectifiers

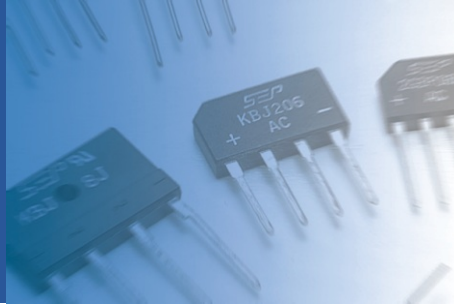
0.75 AMP High Voltage Silicon Rectifiers .....	20
--	----

### High Voltage Rectifiers

Part Number	Peak Repetitive Reverse Voltage	Max. Average Rectified Current		Max. Peak Forward Surge Current	Forward Voltage Drop		Max. Reverse Current		Package
	$V_{RRM}$	$I_o@T$		$I_{FSM}$	$V_F@I_F$		$I_R@V_R$		
	V	A	°C	A	V	A	μA	V	
<b>0.75 AMP High Voltage Silicon Rectifier</b>									
HVP5	5000	0.75	55	50	10	0.75	5.0	5000	HVP
HVP8	8000	0.75	55	50	10	0.75	5.0	8000	HVP
HVP10	10000	0.75	55	50	10	0.75	5.0	10000	HVP
HVP12	12000	0.75	55	50	14	0.75	5.0	12000	HVP
HVP14	14000	0.75	55	50	14	0.75	5.0	14000	HVP
HVP15	15000	0.75	55	50	16	0.75	5.0	15000	HVP
HVP16	16000	0.75	55	50	16	0.75	5.0	16000	HVP



HVP



## Bridge Rectifiers

0.5 AMP Bridge Rectifiers .....	22
1.0 AMP Bridge Rectifiers .....	22
1.5 AMP Bridge Rectifiers .....	23
2.0 AMP Bridge Rectifiers .....	24
3.0 AMP Bridge Rectifiers .....	24
4.0 AMP Bridge Rectifiers .....	25
5.0 AMP Bridge Rectifiers .....	25
6.0 AMP Bridge Rectifiers .....	26
8.0 AMP Bridge Rectifiers .....	27
10.0 AMP Bridge Rectifiers .....	28
15.0 AMP Bridge Rectifiers .....	30
25.0 AMP Bridge Rectifiers .....	32
35.0 AMP Bridge Rectifiers .....	34
40.0 AMP Bridge Rectifiers .....	35
50.0 AMP Bridge Rectifiers .....	35

## Bridge Rectifiers

Part Number	Peak Repetitive Reverse Voltage	Max. Average Rectified Current		Max. Peak Forward Surge Current	Forward Voltage Drop		Max. Reverse Current		Package
	$V_{RRM}$	$I_o@T$		$I_{FSM}$	$V_F@I_F$		$I_R@V_R$		
	V	A	°C	A	V	A	µA	V	
<b>0.5 AMP Single-Phase Bridge Rectifiers</b>									
B05S	50	0.5	40	30	1.1	0.5	10.0	50	MiniDip
B1S	100	0.5	40	30	1.1	0.5	10.0	100	MiniDip
B2S	200	0.5	40	30	1.1	0.5	10.0	200	MiniDip
B4S	400	0.5	40	30	1.1	0.5	10.0	400	MiniDip
B6S	600	0.5	40	30	1.1	0.5	10.0	600	MiniDip
B8S	800	0.5	40	30	1.1	0.5	10.0	800	MiniDip
B10S	1000	0.5	40	30	1.1	0.5	10.0	1000	MiniDip
<b>1.0 AMP Single-Phase Bridge Rectifiers</b>									
DF005	50	1.0	40	50	1.1	1.0	10.0	50	DB
DF01	100	1.0	40	50	1.1	1.0	10.0	100	DB
DF02	200	1.0	40	50	1.1	1.0	10.0	200	DB
DF04	400	1.0	40	50	1.1	1.0	10.0	400	DB
DF06	600	1.0	40	50	1.1	1.0	10.0	600	DB
DF08	800	1.0	40	50	1.1	1.0	10.0	800	DB
DF10	1000	1.0	40	50	1.1	1.0	10.0	1000	DB
DF005M	50	1.0	40	50	1.1	1.0	10.0	50	DB
DF01M	100	1.0	40	50	1.1	1.0	10.0	100	DB
DF02M	200	1.0	40	50	1.1	1.0	10.0	200	DB
DF04M	400	1.0	40	50	1.1	1.0	10.0	400	DB
DF06M	600	1.0	40	50	1.1	1.0	10.0	600	DB
DF08M	800	1.0	40	50	1.1	1.0	10.0	800	DB
DF10M	1000	1.0	40	50	1.1	1.0	10.0	1000	DB
DF005S	50	1.0	40	50	1.1	1.0	10.0	50	DBS
DF01S	100	1.0	40	50	1.1	1.0	10.0	100	DBS
DF02S	200	1.0	40	50	1.1	1.0	10.0	200	DBS
DF04S	400	1.0	40	50	1.1	1.0	10.0	400	DBS
DF06S	600	1.0	40	50	1.1	1.0	10.0	600	DBS
DF08S	800	1.0	40	50	1.1	1.0	10.0	800	DBS
DF10S	1000	1.0	40	50	1.1	1.0	10.0	1000	DBS
DB101	50	1.0	40	50	1.1	1.0	10.0	50	DB
DB102	100	1.0	40	50	1.1	1.0	10.0	100	DB
DB103	200	1.0	40	50	1.1	1.0	10.0	200	DB
DB104	400	1.0	40	50	1.1	1.0	10.0	400	DB
DB105	600	1.0	40	50	1.1	1.0	10.0	600	DB
DB106	800	1.0	40	50	1.1	1.0	10.0	800	DB
DB107	1000	1.0	40	50	1.1	1.0	10.0	1000	DB
DB101S	50	1.0	40	50	1.1	1.0	10.0	50	DBS
DB102S	100	1.0	40	50	1.1	1.0	10.0	100	DBS
DB103S	200	1.0	40	50	1.1	1.0	10.0	200	DBS
DB104S	400	1.0	40	50	1.1	1.0	10.0	400	DBS
DB105S	600	1.0	40	50	1.1	1.0	10.0	600	DBS
DB106S	800	1.0	40	50	1.1	1.0	10.0	800	DBS
DB107S	1000	1.0	40	50	1.1	1.0	10.0	1000	DBS
RS101	50	1.0	50	30	1.0	1.0	10.0	50	RS1
RS102	100	1.0	50	30	1.0	1.0	10.0	100	RS1
RS103	200	1.0	50	30	1.0	1.0	10.0	200	RS1
RS104	400	1.0	50	30	1.0	1.0	10.0	400	RS1
RS105	600	1.0	50	30	1.0	1.0	10.0	600	RS1
RS106	800	1.0	50	30	1.0	1.0	10.0	800	RS1
RS107	1000	1.0	50	30	1.0	1.0	10.0	1000	RS1



MiniDip



DB



DBS



RS1

### Bridge Rectifiers

Part Number	Peak Repetitive Reverse Voltage	Max. Average Rectified Current		Max. Peak Forward Surge Current	Forward Voltage Drop		Max. Reverse Current		Package
	$V_{RRM}$	$I_o@T$		$I_{FSM}$	$V_F@I_F$		$I_R@V_R$		
	V	A	°C	A	V	A	µA	V	
<b>1.5 AMP Single-Phase Bridge Rectifiers</b>									
DF15005	50	1.5	40	50	1.1	1.0	10.0	50	DIP
DF1501	100	1.5	40	50	1.1	1.0	10.0	100	DIP
DF1502	200	1.5	40	50	1.1	1.5	10.0	200	DIP
DF1504	400	1.5	40	50	1.1	1.5	10.0	400	DIP
DF1506	600	1.5	40	50	1.1	1.5	10.0	600	DIP
DF1508	800	1.5	40	50	1.1	1.5	10.0	800	DIP
DF1510	1000	1.5	40	50	1.1	1.5	10.0	1000	DIP
DF15005S	50	1.5	40	50	1.1	1.5	10.0	50	DIP-S
DF1501S	100	1.5	40	50	1.1	1.5	10.0	100	DIP-S
DF1502S	200	1.5	40	50	1.1	1.5	10.0	200	DIP-S
DF1504S	400	1.5	40	50	1.1	1.5	10.0	400	DIP-S
DF1506S	600	1.5	40	50	1.1	1.5	10.0	600	DIP-S
DF1508S	800	1.5	40	50	1.1	1.5	10.0	800	DIP-S
DF1510S	1000	1.5	40	50	1.1	1.5	10.0	1000	DIP-S
DB151	50	1.5	40	50	1.1	1.5	10.0	50	DIP
DB152	100	1.5	40	50	1.1	1.5	10.0	100	DIP
DB153	200	1.5	40	50	1.1	1.5	10.0	200	DIP
DB154	400	1.5	40	50	1.1	1.5	10.0	400	DIP
DB155	600	1.5	40	50	1.1	1.5	10.0	600	DIP
DB156	800	1.5	40	50	1.1	1.5	10.0	800	DIP
DB157	1000	1.5	40	50	1.1	1.5	10.0	1000	DIP
DB151S	50	1.5	40	50	1.1	1.5	10.0	50	DIP-S
DB152S	100	1.5	40	50	1.1	1.5	10.0	100	DIP-S
DB153S	200	1.5	40	50	1.1	1.5	10.0	200	DIP-S
DB154S	400	1.5	40	50	1.1	1.5	10.0	400	DIP-S
DB155S	600	1.5	40	50	1.1	1.5	10.0	600	DIP-S
DB156S	800	1.5	40	50	1.1	1.5	10.0	800	DIP-S
DB157S	1000	1.5	40	50	1.1	1.5	10.0	1000	DIP-S
RB151	50	1.5	50	50	1.1	1.5	10.0	50	WOB
RB152	100	1.5	50	50	1.1	1.5	10.0	100	WOB
RB153	200	1.5	50	50	1.1	1.5	10.0	200	WOB
RB154	400	1.5	50	50	1.1	1.5	10.0	400	WOB
RB155	600	1.5	50	50	1.1	1.5	10.0	600	WOB
RB156	800	1.5	50	50	1.1	1.5	10.0	800	WOB
RB157	1000	1.5	50	50	1.1	1.5	10.0	1000	WOB
W005M	50	1.5	50	50	1.1	1.5	10.0	50	WOB
W01M	100	1.5	50	50	1.1	1.5	10.0	100	WOB
W02M	200	1.5	50	50	1.1	1.5	10.0	200	WOB
W04M	400	1.5	50	50	1.1	1.5	10.0	400	WOB
W06M	600	1.5	50	50	1.1	1.5	10.0	600	WOB
W08M	800	1.5	50	50	1.1	1.5	10.0	800	WOB
W10M	1000	1.5	50	50	1.1	1.5	10.0	1000	WOB
KBP005	50	1.5	50	50	1.1	1.5	10.0	50	KBP
KBP01	100	1.5	50	50	1.1	1.5	10.0	100	KBP
KBP02	200	1.5	50	50	1.1	1.5	10.0	200	KBP
KBP04	400	1.5	50	50	1.1	1.5	10.0	400	KBP
KBP06	600	1.5	50	50	1.1	1.5	10.0	600	KBP
KBP08	800	1.5	50	50	1.1	1.5	10.0	800	KBP
KBP10	1000	1.5	50	50	1.1	1.5	10.0	1000	KBP
KBP005M	50	1.5	50	50	1.1	1.5	10.0	50	KBP
KBP01M	100	1.5	50	50	1.1	1.5	10.0	100	KBP
KBP02M	200	1.5	50	50	1.1	1.5	10.0	200	KBP
KBP04M	400	1.5	50	50	1.1	1.5	10.0	400	KBP
KBP06M	600	1.5	50	50	1.1	1.5	10.0	600	KBP
KBP08M	800	1.5	50	50	1.1	1.5	10.0	800	KBP
KBP10M	1000	1.5	50	50	1.1	1.5	10.0	1000	KBP



DB



DBS



WOB



KBP



## Bridge Rectifiers

Part Number	Peak Repetitive Reverse Voltage	Max. Average Rectified Current		Max. Peak Forward Surge Current	Forward Voltage Drop		Max. Reverse Current		Package
	$V_{RRM}$	$I_o@T$		$I_{FSM}$	$V_F@I_F$		$I_R@V_R$		
	V	A	°C	A	V	A	µA	V	
<b>2.0 AMP Single-Phase Bridge Rectifiers</b>									
2W005	50	2.0	25	60	1.1	2.0	10.0	50	WOB
2W01	100	2.0	25	60	1.1	2.0	10.0	100	WOB
2W02	200	2.0	25	60	1.1	2.0	10.0	200	WOB
2W04	400	2.0	25	60	1.1	2.0	10.0	400	WOB
2W06	600	2.0	25	60	1.1	2.0	10.0	600	WOB
2W08	800	2.0	25	60	1.1	2.0	10.0	800	WOB
2W10	1000	2.0	25	60	1.1	2.0	10.0	1000	WOB
2KBP005M	50	2.0	50	60	1.1	2.0	10.0	50	KBP
2KBP01M	100	2.0	50	60	1.1	2.0	10.0	100	KBP
2KBP02M	200	2.0	50	60	1.1	2.0	10.0	200	KBP
2KBP04M	400	2.0	50	60	1.1	2.0	10.0	400	KBP
2KBP06M	600	2.0	50	60	1.1	2.0	10.0	600	KBP
2KBP08M	800	2.0	50	60	1.1	2.0	10.0	800	KBP
2KBP10M	1000	2.0	50	60	1.1	2.0	10.0	1000	KBP
RS201	50	2.0	50	50	1.1	2.0	10.0	50	RS2
RS202	100	2.0	50	50	1.1	2.0	10.0	100	RS2
RS203	200	2.0	50	50	1.1	2.0	10.0	200	RS2
RS204	400	2.0	50	50	1.1	2.0	10.0	400	RS2
RS205	600	2.0	50	50	1.1	2.0	10.0	600	RS2
RS206	800	2.0	50	50	1.1	2.0	10.0	800	RS2
RS207	1000	2.0	50	50	1.1	2.0	10.0	1000	RS2
<b>3.0 AMP Single-Phase Bridge Rectifiers</b>									
KBPC1005	50	3.0	50	50	1.1	3.0	10.0	50	BR3
KBPC101	100	3.0	50	50	1.1	3.0	10.0	100	BR3
KBPC102	200	3.0	50	50	1.1	3.0	10.0	200	BR3
KBPC104	400	3.0	50	50	1.1	3.0	10.0	400	BR3
KBPC106	600	3.0	50	50	1.1	3.0	10.0	600	BR3
KBPC108	800	3.0	50	50	1.1	3.0	10.0	800	BR3
KBPC110	1000	3.0	50	50	1.1	3.0	10.0	1000	BR3
BR305	50	3.0	50	50	1.1	3.0	10.0	50	BR3
BR31	100	3.0	50	50	1.1	3.0	10.0	100	BR3
BR32	200	3.0	50	50	1.1	3.0	10.0	200	BR3
BR34	400	3.0	50	50	1.1	3.0	10.0	400	BR3
BR36	600	3.0	50	50	1.1	3.0	10.0	600	BR3
BR38	800	3.0	50	50	1.1	3.0	10.0	800	BR3
BR310	1000	3.0	50	50	1.1	3.0	10.0	1000	BR3



WOB



KBP



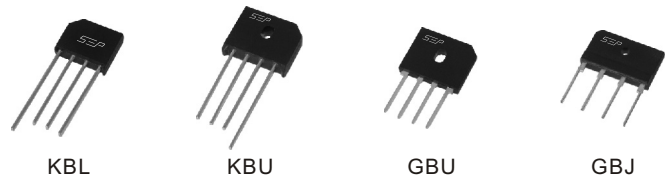
RS2



BR3

### Bridge Rectifiers

Part Number	Peak Repetitive Reverse Voltage	Max. Average Rectified Current		Max. Peak Forward Surge Current	Forward Voltage Drop		Max. Reverse Current		Package
	$V_{RRM}$	$I_o@T$		$I_{FSM}$	$V_F@I_F$		$I_R@V_R$		
	V	A	°C	A	V	A	µA	V	
<b>4.0 AMP Single-Phase Bridge Rectifiers</b>									
KBL005	50	4.0	50	200	1.1	4.0	10.0	50	KBL
KBL01	100	4.0	50	200	1.1	4.0	10.0	100	KBL
KBL02	200	4.0	50	200	1.1	4.0	10.0	200	KBL
KBL04	400	4.0	50	200	1.1	4.0	10.0	400	KBL
KBL06	600	4.0	50	200	1.1	4.0	10.0	600	KBL
KBL08	800	4.0	50	200	1.1	4.0	10.0	800	KBL
KBL10	1000	4.0	50	200	1.1	4.0	10.0	1000	KBL
KBL4005	50	4.0	50	200	1.1	4.0	10.0	50	KBL
KBL401	100	4.0	50	200	1.1	4.0	10.0	100	KBL
KBL402	200	4.0	50	200	1.1	4.0	10.0	200	KBL
KBL404	400	4.0	50	200	1.1	4.0	10.0	400	KBL
KBL406	600	4.0	50	200	1.1	4.0	10.0	600	KBL
KBL408	800	4.0	50	200	1.1	4.0	10.0	800	KBL
KBL410	1000	4.0	50	200	1.1	4.0	10.0	1000	KBL
RS401L	50	4.0	50	200	1.1	4.0	10.0	50	KBL
RS402L	100	4.0	50	200	1.1	4.0	10.0	100	KBL
RS403L	200	4.0	50	200	1.1	4.0	10.0	200	KBL
RS404L	400	4.0	50	200	1.1	4.0	10.0	400	KBL
RS405L	600	4.0	50	200	1.1	4.0	10.0	600	KBL
RS406L	800	4.0	50	200	1.1	4.0	10.0	800	KBL
RS407L	1000	4.0	50	200	1.1	4.0	10.0	1000	KBL
KBU4A	50	4.0	100	200	1.1	4.0	10.0	50	KBU
KBU4B	100	4.0	100	200	1.1	4.0	10.0	100	KBU
KBU4D	200	4.0	100	200	1.1	4.0	10.0	200	KBU
KBU4G	400	4.0	100	200	1.1	4.0	10.0	400	KBU
KBU4J	600	4.0	100	200	1.1	4.0	10.0	600	KBU
KBU4K	800	4.0	100	200	1.1	4.0	10.0	800	KBU
KBU4M	1000	4.0	100	200	1.1	4.0	10.0	1000	KBU
GBJ4005	50	4.0	100	120	1.1	4.0	10.0	50	GBJ
GBJ401	100	4.0	100	120	1.1	4.0	10.0	100	GBJ
GBJ402	200	4.0	100	120	1.1	4.0	10.0	200	GBJ
GBJ404	400	4.0	100	120	1.1	4.0	10.0	400	GBJ
GBJ406	600	4.0	100	120	1.1	4.0	10.0	600	GBJ
GBJ408	800	4.0	100	120	1.1	4.0	10.0	800	GBJ
GBJ410	1000	4.0	100	120	1.1	4.0	10.0	1000	GBJ
GBU4005	50	4.0	100	150	1.1	4.0	5.0	50	GBU
GBU401	100	4.0	100	150	1.1	4.0	5.0	100	GBU
GBU402	200	4.0	100	150	1.1	4.0	5.0	200	GBU
GBU404	400	4.0	100	150	1.1	4.0	5.0	400	GBU
GBU406	600	4.0	100	150	1.1	4.0	5.0	600	GBU
GBU408	800	4.0	100	150	1.1	4.0	5.0	800	GBU
GBU410	1000	4.0	100	150	1.1	4.0	5.0	1000	GBU



### Bridge Rectifiers

Part Number	Peak Repetitive Reverse Voltage	Max. Average Rectified Current		Max. Peak Forward Surge Current	Forward Voltage Drop		Max. Reverse Current		Package
	$V_{RRM}$	$I_O@T$		$I_{FSM}$	$V_F@I_F$		$I_R@V_R$		
	V	A	°C	A	V	A	µA	V	
<b>6.0 AMP Single-Phase Bridge Rectifiers</b>									
KBL6005	50	6.0	50	200	1.1	6.0	10.0	50	KBL
KBL601	100	6.0	50	200	1.1	6.0	10.0	100	KBL
KBL602	200	6.0	50	200	1.1	6.0	10.0	200	KBL
KBL604	400	6.0	50	200	1.1	6.0	10.0	400	KBL
KBL606	600	6.0	50	200	1.1	6.0	10.0	600	KBL
KBL608	800	6.0	50	200	1.1	6.0	10.0	800	KBL
KBL610	1000	6.0	50	200	1.1	6.0	10.0	1000	KBL
KBU6A	50	6.0	100	250	1.1	6.0	10.0	50	KBU
KBU6B	100	6.0	100	250	1.1	6.0	10.0	100	KBU
KBU6D	200	6.0	100	250	1.1	6.0	10.0	200	KBU
KBU6G	400	6.0	100	250	1.1	6.0	10.0	400	KBU
KBU6J	600	6.0	100	250	1.1	6.0	10.0	600	KBU
KBU6K	800	6.0	100	250	1.1	6.0	10.0	800	KBU
KBU6M	1000	6.0	100	250	1.1	6.0	10.0	1000	KBU
KBU6005	50	6.0	100	250	1.1	6.0	10.0	50	KBU
KBU601	100	6.0	100	250	1.1	6.0	10.0	100	KBU
KBU602	200	6.0	100	250	1.1	6.0	10.0	200	KBU
KBU604	400	6.0	100	250	1.1	6.0	10.0	400	KBU
KBU606	600	6.0	100	250	1.1	6.0	10.0	600	KBU
KBU608	800	6.0	100	250	1.1	6.0	10.0	800	KBU
KBU610	1000	6.0	100	250	1.1	6.0	10.0	1000	KBU
RS601	50	6.0	100	250	1.1	6.0	10.0	50	KBU
RS602	100	6.0	100	250	1.1	6.0	10.0	100	KBU
RS603	200	6.0	100	250	1.1	6.0	10.0	200	KBU
RS604	400	6.0	100	250	1.1	6.0	10.0	400	KBU
RS605	600	6.0	100	250	1.1	6.0	10.0	600	KBU
RS606	800	6.0	100	250	1.1	6.0	10.0	800	KBU
RS607	1000	6.0	100	250	1.1	6.0	10.0	1000	KBU
KBJ6005	50	6.0	170	170	1.1	6.0	10.0	50	KBJ
KBJ601	100	6.0	170	170	1.1	6.0	10.0	100	KBJ
KBJ602	200	6.0	170	170	1.1	6.0	10.0	200	KBJ
KBJ604	400	6.0	170	170	1.1	6.0	10.0	400	KBJ
KBJ606	600	6.0	170	170	1.1	6.0	10.0	600	KBJ
KBJ608	800	6.0	170	170	1.1	6.0	10.0	800	KBJ
KBJ610	1000	6.0	170	170	1.1	6.0	10.0	1000	KBJ
GBU6005	50	6.0	175	150	1.1	6.0	5.0	50	GBU
GBU601	100	6.0	175	150	1.1	6.0	5.0	100	GBU
GBU602	200	6.0	175	150	1.1	6.0	5.0	200	GBU
GBU604	400	6.0	175	150	1.1	6.0	5.0	400	GBU
GBU606	600	6.0	175	150	1.1	6.0	5.0	600	GBU
GBU608	800	6.0	175	150	1.1	6.0	5.0	800	GBU
GBU610	1000	6.0	175	150	1.1	6.0	5.0	800	GBU
KBPC6005	50	6.0	125	125	1.1	6.0	10.0	50	BR6
KBPC601	100	6.0	125	125	1.1	6.0	10.0	100	BR6
KBPC602	200	6.0	125	125	1.1	6.0	10.0	200	BR6
KBPC604	400	6.0	125	125	1.1	6.0	10.0	400	BR6
KBPC606	600	6.0	125	125	1.1	6.0	10.0	600	BR6
KBPC608	800	6.0	125	125	1.1	6.0	10.0	800	BR6
KBPC610	1000	6.0	125	125	1.1	6.0	10.0	1000	BR6
BR605	50	6.0	125	125	1.1	6.0	10.0	50	BR6
BR61	100	6.0	125	125	1.1	6.0	10.0	100	BR6
BR62	200	6.0	125	125	1.1	6.0	10.0	200	BR6
BR64	400	6.0	125	125	1.1	6.0	10.0	400	BR6
BR66	600	6.0	125	125	1.1	6.0	10.0	600	BR6
BR68	800	6.0	125	125	1.1	6.0	10.0	800	BR6
BR610	1000	6.0	125	125	1.1	6.0	10.0	1000	BR6



KBL



KBU



GBU



KBJ



BR6

### Bridge Rectifiers

Part Number	Peak Repetitive Reverse Voltage	Max. Average Rectified Current		Max. Peak Forward Surge Current	Forward Voltage Drop		Max. Reverse Current		Package
	$V_{RRM}$	$I_o@T$		$I_{FSM}$	$V_F@I_F$		$I_R@V_R$		
	V	A	°C	A	V	A	µA	V	
<b>8.0 AMP Single-Phase Bridge Rectifiers</b>									
KBU8A	50	8.0	100	300	1.1	8.0	10.0	50	KBU
KBU8B	100	8.0	100	300	1.1	8.0	10.0	100	KBU
KBU8D	200	8.0	100	300	1.1	8.0	10.0	200	KBU
KBU8G	400	8.0	100	300	1.1	8.0	10.0	400	KBU
KBU8J	600	8.0	100	300	1.1	8.0	10.0	600	KBU
KBU8K	800	8.0	100	300	1.1	8.0	10.0	800	KBU
KBU8M	1000	8.0	100	300	1.1	8.0	10.0	1000	KBU
KBU8005	50	8.0	100	300	1.1	8.0	10.0	50	KBU
KBU801	100	8.0	100	300	1.1	8.0	10.0	100	KBU
KBU802	200	8.0	100	300	1.1	8.0	10.0	200	KBU
KBU804	400	8.0	100	300	1.1	8.0	10.0	400	KBU
KBU806	600	8.0	100	300	1.1	8.0	10.0	600	KBU
KBU808	800	8.0	100	300	1.1	8.0	10.0	800	KBU
KBU810	1000	8.0	100	300	1.1	8.0	10.0	1000	KBU
RS801	50	8.0	100	300	1.1	8.0	10.0	50	KBU
RS802	100	8.0	100	300	1.1	8.0	10.0	100	KBU
RS803	200	8.0	100	300	1.1	8.0	10.0	200	KBU
RS804	400	8.0	100	300	1.1	8.0	10.0	400	KBU
RS805	600	8.0	100	300	1.1	8.0	10.0	600	KBU
RS806	800	8.0	100	300	1.1	8.0	10.0	800	KBU
RS807	1000	8.0	100	300	1.1	8.0	10.0	1000	KBU
KBJ8005	50	8.0	100	170	1.1	8.0	10.0	50	KBJ
KBJ801	100	8.0	100	170	1.1	8.0	10.0	100	KBJ
KBJ802	200	8.0	100	170	1.1	8.0	10.0	200	KBJ
KBJ804	400	8.0	100	170	1.1	8.0	10.0	400	KBJ
KBJ806	600	8.0	100	170	1.1	8.0	10.0	600	KBJ
KBJ808	800	8.0	100	170	1.1	8.0	10.0	800	KBJ
KBJ810	1000	8.0	100	170	1.1	8.0	10.0	1000	KBJ
GBU8005	50	8.0	100	200	1.1	8.0	5.0	50	GBU
GBU801	100	8.0	100	200	1.1	8.0	5.0	100	GBU
GBU802	200	8.0	100	200	1.1	8.0	5.0	200	GBU
GBU804	400	8.0	100	200	1.1	8.0	5.0	400	GBU
GBU806	600	8.0	100	200	1.1	8.0	5.0	600	GBU
GBU808	800	8.0	100	200	1.1	8.0	5.0	800	GBU
GBU810	1000	8.0	100	200	1.1	8.0	5.0	1000	GBU
KBPC8005	50	8.0	50	125	1.1	8.0	10.0	50	BR8
KBPC801	100	8.0	50	125	1.1	8.0	10.0	100	BR8
KBPC802	200	8.0	50	125	1.1	8.0	10.0	200	BR8
KBPC804	400	8.0	50	125	1.1	8.0	10.0	400	BR8
KBPC806	600	8.0	50	125	1.1	8.0	10.0	600	BR8
KBPC808	800	8.0	50	125	1.1	8.0	10.0	800	BR8
KBPC810	1000	8.0	50	125	1.1	8.0	10.0	1000	BR8
BR805	50	8.0	50	125	1.1	8.0	10.0	50	BR8
BR81	100	8.0	50	125	1.1	8.0	10.0	100	BR8
BR82	200	8.0	50	125	1.1	8.0	10.0	200	BR8
BR84	400	8.0	50	125	1.1	8.0	10.0	400	BR8
BR86	600	8.0	50	125	1.1	8.0	10.0	600	BR8
BR88	800	8.0	50	125	1.1	8.0	10.0	800	BR8
BR810	1000	8.0	50	125	1.1	8.0	10.0	1000	BR8



KBU



GBU



KBJ



BR8

### Bridge Rectifiers

Part Number	Peak Repetitive Reverse Voltage	Max. Average Rectified Current		Max. Peak Forward Surge Current	Forward Voltage Drop		Max. Reverse Current		Package
	$V_{RRM}$	$I_o@T$		$I_{FSM}$	$V_F@I_F$		$I_R@V_R$		
	V	A	°C	A	V	A	µA	V	
<b>10.0 AMP Single-Phase Bridge Rectifiers</b>									
KBU10005	50	10.0	100	300	1.05	10.0	10.0	50	KBU
KBU1001	100	10.0	100	300	1.05	10.0	10.0	100	KBU
KBU1002	200	10.0	100	300	1.05	10.0	10.0	200	KBU
KBU1004	400	10.0	100	300	1.05	10.0	10.0	400	KBU
KBU1006	600	10.0	100	300	1.05	10.0	10.0	600	KBU
KBU1008	800	10.0	100	300	1.05	10.0	10.0	800	KBU
KBU1010	1000	10.0	100	300	1.05	10.0	10.0	1000	KBU
RS10005	50	10.0	100	300	1.1	10.0	10.0	50	KBU
RS1001	100	10.0	100	300	1.1	10.0	10.0	100	KBU
RS1002	200	10.0	100	300	1.1	10.0	10.0	200	KBU
RS1004	400	10.0	100	300	1.1	10.0	10.0	400	KBU
RS1006	600	10.0	100	300	1.1	10.0	10.0	600	KBU
RS1008	800	10.0	100	300	1.1	10.0	10.0	800	KBU
RS1010	1000	10.0	100	300	1.1	10.0	10.0	1000	KBU
KBJ10005	50	10.0	100	170	1.05	10.0	10.0	50	KBJ
KBJ1001	100	10.0	100	170	1.05	10.0	10.0	100	KBJ
KBJ1002	200	10.0	100	170	1.05	10.0	10.0	200	KBJ
KBJ1004	400	10.0	100	170	1.05	10.0	10.0	400	KBJ
KBJ1006	600	10.0	100	170	1.05	10.0	10.0	600	KBJ
KBJ1008	800	10.0	100	170	1.05	10.0	10.0	800	KBJ
KBJ1010	1000	10.0	100	170	1.05	10.0	10.0	1000	KBJ
GBU10005	50	10.0	100	220	1.05	10.0	5.0	50	GBU
GBU1001	100	10.0	100	220	1.05	10.0	5.0	100	GBU
GBU1002	200	10.0	100	220	1.05	10.0	5.0	200	GBU
GBU1004	400	10.0	100	220	1.05	10.0	5.0	400	GBU
GBU1006	600	10.0	100	220	1.05	10.0	5.0	600	GBU
GBU1008	800	10.0	100	220	1.05	10.0	5.0	800	GBU
GBU1010	1000	10.0	100	220	1.05	10.0	5.0	1000	GBU
MP10005S	50	10.0	55	300	1.05	5.0	10.0	50	MPS
MP1001S	100	10.0	55	300	1.05	5.0	10.0	100	MPS
MP1002S	200	10.0	55	300	1.05	5.0	10.0	200	MPS
MP1004S	400	10.0	55	300	1.05	5.0	10.0	400	MPS
MP1006S	600	10.0	55	300	1.05	5.0	10.0	600	MPS
MP1008S	800	10.0	55	300	1.05	5.0	10.0	800	MPS
MP1010S	1000	10.0	55	300	1.05	5.0	10.0	1000	MPS
BR1005	50	10.0	50	150	1.1	5.0	10.0	50	BR8
BR101	100	10.0	50	150	1.1	5.0	10.0	100	BR8
BR102	200	10.0	50	150	1.1	5.0	10.0	200	BR8
BR104	400	10.0	50	150	1.1	5.0	10.0	400	BR8
BR106	600	10.0	50	150	1.1	5.0	10.0	600	BR8
BR108	800	10.0	50	150	1.1	5.0	10.0	800	BR8
BR1010	1000	10.0	50	150	1.1	5.0	10.0	1000	BR8



KBU



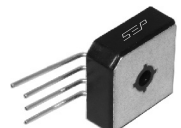
GBU



KBJ



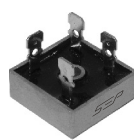
BR8



MPS

### Bridge Rectifiers

Part Number	Peak Repetitive Reverse Voltage	Max. Average Rectified Current		Max. Peak Forward Surge Current	Forward Voltage Drop		Max. Reverse Current		Package
	$V_{RRM}$	$I_o@T$		$I_{FSM}$	$V_F@I_F$		$I_R@V_R$		
	V	A	°C	A	V	A	μA	V	
<b>10.0 AMP Single-Phase Bridge Rectifiers</b>									
KBPC10005	50	10.0	55	300	1.05	5.0	10.0	50	KBPC
KBPC1001	100	10.0	55	300	1.05	5.0	10.0	100	KBPC
KBPC1002	200	10.0	55	300	1.05	5.0	10.0	200	KBPC
KBPC1004	400	10.0	55	300	1.05	5.0	10.0	400	KBPC
KBPC1006	600	10.0	55	300	1.05	5.0	10.0	600	KBPC
KBPC1008	800	10.0	55	300	1.05	5.0	10.0	800	KBPC
KBPC1010	1000	10.0	55	300	1.05	5.0	10.0	1000	KBPC
KBPC10005W	50	10.0	55	300	1.05	5.0	10.0	50	KBPCW
KBPC1001W	100	10.0	55	300	1.05	5.0	10.0	100	KBPCW
KBPC1002W	200	10.0	55	300	1.05	5.0	10.0	200	KBPCW
KBPC1004W	400	10.0	55	300	1.05	5.0	10.0	400	KBPCW
KBPC1006W	600	10.0	55	300	1.05	5.0	10.0	600	KBPCW
KBPC1008W	800	10.0	55	300	1.05	5.0	10.0	800	KBPCW
KBPC1010W	1000	10.0	55	300	1.05	5.0	10.0	1000	KBPCW
MP10005	50	10.0	55	300	1.05	5.0	10.0	50	MP
MP1001	100	10.0	55	300	1.05	5.0	10.0	100	MP
MP1002	200	10.0	55	300	1.05	5.0	10.0	200	MP
MP1004	400	10.0	55	300	1.05	5.0	10.0	400	MP
MP1006	600	10.0	55	300	1.05	5.0	10.0	600	MP
MP1008	800	10.0	55	300	1.05	5.0	10.0	800	MP
MP1010	1000	10.0	55	300	1.05	5.0	10.0	1000	MP
MP10005W	50	10.0	55	300	1.0	5.0	10.0	50	MPW
MP1001W	100	10.0	55	300	1.0	5.0	10.0	100	MPW
MP1002W	200	10.0	55	300	1.0	5.0	10.0	200	MPW
MP1004W	400	10.0	55	300	1.0	5.0	10.0	400	MPW
MP1006W	600	10.0	55	300	1.0	5.0	10.0	600	MPW
MP1008W	800	10.0	55	300	1.0	5.0	10.0	800	MPW
MP1010W	1000	10.0	55	300	1.0	5.0	10.0	1000	MPW



KBPC



KBPCW



MP



MPW

### Bridge Rectifiers

Part Number	Peak Repetitive Reverse Voltage	Max. Average Rectified Current		Max. Peak Forward Surge Current	Forward Voltage Drop		Max. Reverse Current		Package
	$V_{RRM}$	$I_o@T$		$I_{FSM}$	$V_F@I_F$		$I_R@V_R$		
	V	A	°C	A	V	A	µA	V	
<b>15.0 AMP Single-Phase Bridge Rectifiers</b>									
KBU15005	50	15.0	100	300	1.0	7.5	10.0	50	KBU
KBU1501	100	15.0	100	300	1.0	7.5	10.0	100	KBU
KBU1502	200	15.0	100	300	1.0	7.5	10.0	200	KBU
KBU1504	400	15.0	100	300	1.0	7.5	10.0	400	KBU
KBU1506	600	15.0	100	300	1.0	7.5	10.0	600	KBU
KBU1508	800	15.0	100	300	1.0	7.5	10.0	800	KBU
KBU1510	1000	15.0	100	300	1.0	7.5	10.0	1000	KBU
RS15005	50	15.0	100	300	1.0	7.5	10.0	50	KBU
RS1501	100	15.0	100	300	1.0	7.5	10.0	100	KBU
RS1502	200	15.0	100	300	1.0	7.5	10.0	200	KBU
RS1504	400	15.0	100	300	1.0	7.5	10.0	400	KBU
RS1506	600	15.0	100	300	1.0	7.5	10.0	600	KBU
RS1508	800	15.0	100	300	1.0	7.5	10.0	800	KBU
RS1510	1000	15.0	100	300	1.0	7.5	10.0	1000	KBU
KBJ15005	50	15.0	100	240	1.0	7.5	10.0	50	KBJ
KBJ1501	100	15.0	100	240	1.0	7.5	10.0	100	KBJ
KBJ1502	200	15.0	100	240	1.0	7.5	10.0	200	KBJ
KBJ1504	400	15.0	100	240	1.0	7.5	10.0	400	KBJ
KBJ1506	600	15.0	100	240	1.0	7.5	10.0	600	KBJ
KBJ1508	800	15.0	100	240	1.0	7.5	10.0	800	KBJ
KBJ1510	1000	15.0	100	240	1.0	7.5	10.0	1000	KBJ
GBU15005	50	15.0	100	240	1.0	7.5	5.0	50	GBU
GBU1501	100	15.0	100	240	1.0	7.5	5.0	100	GBU
GBU1502	200	15.0	100	240	1.0	7.5	5.0	200	GBU
GBU1504	400	15.0	100	240	1.0	7.5	5.0	400	GBU
GBU1506	600	15.0	100	240	1.0	7.5	5.0	600	GBU
GBU1508	800	15.0	100	240	1.0	7.5	5.0	800	GBU
GBU1510	1000	15.0	100	240	1.0	7.5	5.0	1000	GBU
MP15005S	50	15.0	55	300	1.0	7.5	10.0	50	MPS
MP1501S	100	15.0	55	300	1.0	7.5	10.0	100	MPS
MP1502S	200	15.0	55	300	1.0	7.5	10.0	200	MPS
MP1504S	400	15.0	55	300	1.0	7.5	10.0	400	MPS
MP1506S	600	15.0	55	300	1.0	7.5	10.0	600	MPS
MP1508S	800	15.0	55	300	1.0	7.5	10.0	800	MPS
MP1510S	1000	15.0	55	300	1.0	7.5	10.0	1000	MPS
KBPC15005	50	15.0	55	300	1.0	7.5	10.0	50	KBPC
KBPC1501	100	15.0	55	300	1.0	7.5	10.0	100	KBPC
KBPC1502	200	15.0	55	300	1.0	7.5	10.0	200	KBPC
KBPC1504	400	15.0	55	300	1.0	7.5	10.0	400	KBPC
KBPC1506	600	15.0	55	300	1.0	7.5	10.0	600	KBPC
KBPC1508	800	15.0	55	300	1.0	7.5	10.0	800	KBPC
KBPC1510	1000	15.0	55	300	1.0	7.5	10.0	1000	KBPC
KBPC15005W	50	15.0	55	300	1.0	7.5	10.0	50	KBPCW
KBPC1501W	100	15.0	55	300	1.0	7.5	10.0	100	KBPCW
KBPC1502W	200	15.0	55	300	1.0	7.5	10.0	200	KBPCW
KBPC1504W	400	15.0	55	300	1.0	7.5	10.0	400	KBPCW
KBPC1506W	600	15.0	55	300	1.0	7.5	10.0	600	KBPCW
KBPC1508W	800	15.0	55	300	1.0	7.5	10.0	800	KBPCW
KBPC1510W	1000	15.0	55	300	1.0	7.5	10.0	1000	KBPCW



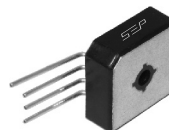
KBU



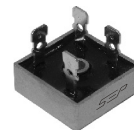
GBU



KBJ



MPS



KBPC



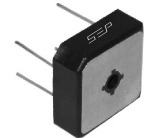
KBPCW

### Bridge Rectifiers

Part Number	Peak Repetitive Reverse Voltage	Max. Average Rectified Current		Max. Peak Forward Surge Current	Forward Voltage Drop		Max. Reverse Current		Package
	$V_{RRM}$	$I_o@T$		$I_{FSM}$	$V_F@I_F$		$I_R@V_R$		
	V	A	°C	A	V	A	μA	V	
<b>15.0 AMP Single-Phase Bridge Rectifiers</b>									
MP15005	50	15.0	55	300	1.0	7.5	10.0	50	MP
MP1501	100	15.0	55	300	1.0	7.5	10.0	100	MP
MP1502	200	15.0	55	300	1.0	7.5	10.0	200	MP
MP1504	400	15.0	55	300	1.0	7.5	10.0	400	MP
MP1506	600	15.0	55	300	1.0	7.5	10.0	600	MP
MP1508	800	15.0	55	300	1.0	7.5	10.0	800	MP
MP1510	1000	15.0	55	300	1.0	7.5	10.0	1000	MP
MP15005W	50	15.0	55	300	1.0	7.5	10.0	50	MPW
MP1501W	100	15.0	55	300	1.0	7.5	10.0	100	MPW
MP1502W	200	15.0	55	300	1.0	7.5	10.0	200	MPW
MP1504W	400	15.0	55	300	1.0	7.5	10.0	400	MPW
MP1506W	600	15.0	55	300	1.0	7.5	10.0	600	MPW
MP1508W	800	15.0	55	300	1.0	7.5	10.0	800	MPW
MP1510W	1000	15.0	55	300	1.0	7.5	10.0	1000	MPW



MP



MPW



### Bridge Rectifiers

Part Number	Peak Repetitive Reverse Voltage	Max. Average Rectified Current		Max. Peak Forward Surge Current	Forward Voltage Drop		Max. Reverse Current		Package
	$V_{RRM}$	$I_o@T$		$I_{FSM}$	$V_F@I_F$		$I_R@V_R$		
	V	A	°C	A	V	A	µA	V	
<b>25.0 AMP Single-Phase Bridge Rectifiers</b>									
KBU25005	50	25.0	100	350	1.0	12.5	10.0	50	KBU
KBU2501	100	25.0	100	350	1.0	12.5	10.0	100	KBU
KBU2502	200	25.0	100	350	1.0	12.5	10.0	200	KBU
KBU2504	400	25.0	100	350	1.0	12.5	10.0	400	KBU
KBU2506	600	25.0	100	350	1.0	12.5	10.0	600	KBU
KBU2508	800	25.0	100	350	1.0	12.5	10.0	800	KBU
KBU2510	1000	25.0	100	350	1.0	12.5	10.0	1000	KBU
RS25005	50	25.0	100	350	1.1	12.5	10.0	50	KBU
RS2501	100	25.0	100	350	1.1	12.5	10.0	100	KBU
RS2502	200	25.0	100	350	1.1	12.5	10.0	200	KBU
RS2504	400	25.0	100	350	1.1	12.5	10.0	400	KBU
RS2506	600	25.0	100	350	1.1	12.5	10.0	600	KBU
RS2508	800	25.0	100	350	1.1	12.5	10.0	800	KBU
RS2510	1000	25.0	100	350	1.1	12.5	10.0	1000	KBU
KBJ25005	50	25.0	100	350	1.0	12.5	10.0	50	KBJ
KBJ2501	100	25.0	100	350	1.0	12.5	10.0	100	KBJ
KBJ2502	200	25.0	100	350	1.0	12.5	10.0	200	KBJ
KBJ2504	400	25.0	100	350	1.0	12.5	10.0	400	KBJ
KBJ2506	600	25.0	100	350	1.0	12.5	10.0	600	KBJ
KBJ2508	800	25.0	100	350	1.0	12.5	10.0	800	KBJ
KBJ2510	1000	25.0	100	350	1.0	12.5	10.0	1000	KBJ
GBU25005	50	25.0	100	300	1.0	12.5	5.0	50	GBU
GBU2501	100	25.0	100	300	1.0	12.5	5.0	100	GBU
GBU2502	200	25.0	100	300	1.0	12.5	5.0	200	GBU
GBU2504	400	25.0	100	300	1.0	12.5	5.0	400	GBU
GBU2506	600	25.0	100	300	1.0	12.5	5.0	600	GBU
GBU2508	800	25.0	100	300	1.0	12.5	5.0	800	GBU
GBU2510	1000	25.0	100	300	1.0	12.5	5.0	1000	GBU
MP25005S	50	25.0	55	300	1.0	12.5	10.0	50	MPS
MP2501S	100	25.0	55	300	1.0	12.5	10.0	100	MPS
MP2502S	200	25.0	55	300	1.0	12.5	10.0	200	MPS
MP2504S	400	25.0	55	300	1.0	12.5	10.0	400	MPS
MP2506S	600	25.0	55	300	1.0	12.5	10.0	600	MPS
MP2508S	800	25.0	55	300	1.0	12.5	10.0	800	MPS
MP2510S	1000	25.0	55	300	1.0	12.5	10.0	1000	MPS
KBPC25005	50	25.0	55	300	1.0	12.5	10.0	50	KBPC
KBPC2501	100	25.0	55	300	1.0	12.5	10.0	100	KBPC
KBPC2502	200	25.0	55	300	1.0	12.5	10.0	200	KBPC
KBPC2504	400	25.0	55	300	1.0	12.5	10.0	400	KBPC
KBPC2506	600	25.0	55	300	1.0	12.5	10.0	600	KBPC
KBPC2508	800	25.0	55	300	1.0	12.5	10.0	800	KBPC
KBPC2510	1000	25.0	55	300	1.0	12.5	10.0	1000	KBPC
KBPC25005W	50	25.0	55	300	1.0	12.5	10.0	50	KBPCW
KBPC2501W	100	25.0	55	300	1.0	12.5	10.0	100	KBPCW
KBPC2502W	200	25.0	55	300	1.0	12.5	10.0	200	KBPCW
KBPC2504W	400	25.0	55	300	1.0	12.5	10.0	400	KBPCW
KBPC2506W	600	25.0	55	300	1.0	12.5	10.0	600	KBPCW
KBPC2508W	800	25.0	55	300	1.0	12.5	10.0	800	KBPCW
KBPC2510W	1000	25.0	55	300	1.0	12.5	10.0	1000	KBPCW



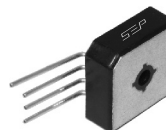
KBU



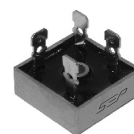
GBU



KBJ



MPS



KBPC



KBPCW

### Bridge Rectifiers

Part Number	Peak Repetitive Reverse Voltage	Max. Average Rectified Current		Max. Peak Forward Surge Current	Forward Voltage Drop		Max. Reverse Current		Package
	$V_{RRM}$	$I_o@T$		$I_{FSM}$	$V_F@I_F$		$I_R@V_R$		
	V	A	°C	A	V	A	μA	V	
<b>25.0 AMP Single-Phase Bridge Rectifiers</b>									
MP25005	50	25.0	55	300	1.0	12.5	10.0	50	MP
MP2501	100	25.0	55	300	1.0	12.5	10.0	100	MP
MP2502	200	25.0	55	300	1.0	12.5	10.0	200	MP
MP2504	400	25.0	55	300	1.0	12.5	10.0	400	MP
MP2506	600	25.0	55	300	1.0	12.5	10.0	600	MP
MP2508	800	25.0	55	300	1.0	12.5	10.0	800	MP
MP2510	1000	25.0	55	300	1.0	12.5	10.0	1000	MP
MP25005W	50	25.0	55	300	1.0	12.5	10.0	50	MPW
MP2501W	100	25.0	55	300	1.0	12.5	10.0	100	MPW
MP2502W	200	25.0	55	300	1.0	12.5	10.0	200	MPW
MP2504W	400	25.0	55	300	1.0	12.5	10.0	400	MPW
MP2506W	600	25.0	55	300	1.0	12.5	10.0	600	MPW
MP2508W	800	25.0	55	300	1.0	12.5	10.0	800	MPW
MP2510W	1000	25.0	55	300	1.0	12.5	10.0	1000	MPW
<b>25.0 AMP Three-Phase Bridge Rectifiers</b>									
MT25005	50	25.0	55	300	1.0	12.5	10.0	50	MT
MT2501	100	25.0	55	300	1.0	12.5	10.0	100	MT
MT2502	200	25.0	55	300	1.0	12.5	10.0	200	MT
MT2504	400	25.0	55	300	1.0	12.5	10.0	400	MT
MT2506	600	25.0	55	300	1.0	12.5	10.0	600	MT
MT2508	800	25.0	55	300	1.0	12.5	10.0	800	MT
MT2510	1000	25.0	55	300	1.0	12.5	10.0	1000	MT
MT2512	1200	25.0	55	300	1.0	12.5	10.0	1200	MT
MT2514	1400	25.0	55	300	1.0	12.5	10.0	1400	MT
MT2516	1600	25.0	55	300	1.0	12.5	10.0	1600	MT



MP



MPW



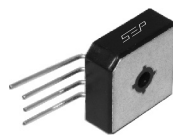
MT

### Bridge Rectifiers

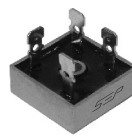
Part Number	Peak Repetitive Reverse Voltage	Max. Average Rectified Current		Max. Peak Forward Surge Current	Forward Voltage Drop		Max. Reverse Current		Package
	$V_{RRM}$	$I_o@T$		$I_{FSM}$	$V_F@I_F$		$I_R@V_R$		
	V	A	°C	A	V	A	µA	V	
<b>35.0 AMP Single-Phase Bridge Rectifiers</b>									
KBU35005	50	35.0	100	400	1.0	17.5	10.0	50	KBU
KBU3501	100	35.0	100	400	1.0	17.5	10.0	100	KBU
KBU3502	200	35.0	100	400	1.0	17.5	10.0	200	KBU
KBU3504	400	35.0	100	400	1.0	17.5	10.0	400	KBU
KBU3506	600	35.0	100	400	1.0	17.5	10.0	600	KBU
KBU3508	800	35.0	100	400	1.0	17.5	10.0	800	KBU
KBU3510	1000	35.0	100	400	1.0	17.5	10.0	1000	KBU
RS35005	50	35.0	100	350	1.1	17.5	10.0	50	KBU
RS3501	100	35.0	100	350	1.1	17.5	10.0	100	KBU
RS3502	200	35.0	100	350	1.1	17.5	10.0	200	KBU
RS3504	400	35.0	100	350	1.1	17.5	10.0	400	KBU
RS3506	600	35.0	100	350	1.1	17.5	10.0	600	KBU
RS3508	800	35.0	100	350	1.1	17.5	10.0	800	KBU
RS3510	1000	35.0	100	350	1.1	17.5	10.0	1000	KBU
MP35005S	50	35.0	55	400	1.0	17.5	10.0	50	MPS
MP3501S	100	35.0	55	400	1.0	17.5	10.0	100	MPS
MP3502S	200	35.0	55	400	1.0	17.5	10.0	200	MPS
MP3504S	400	35.0	55	400	1.0	17.5	10.0	400	MPS
MP3506S	600	35.0	55	400	1.0	17.5	10.0	600	MPS
MP2508S	800	35.0	55	400	1.0	17.5	10.0	800	MPS
MP2510S	1000	35.0	55	400	1.0	17.5	10.0	1000	MPS
KBPC35005	50	35.0	55	400	1.0	17.5	10.0	50	KBPC
KBPC3501	100	35.0	55	400	1.0	17.5	10.0	100	KBPC
KBPC3502	200	35.0	55	400	1.0	17.5	10.0	200	KBPC
KBPC3504	400	35.0	55	400	1.0	17.5	10.0	400	KBPC
KBPC3506	600	35.0	55	400	1.0	17.5	10.0	600	KBPC
KBPC3508	800	35.0	55	400	1.0	17.5	10.0	800	KBPC
KBPC3510	1000	35.0	55	400	1.0	17.5	10.0	1000	KBPC
KBPC35005W	50	35.0	55	400	1.0	17.5	10.0	50	KBPCW
KBPC3501W	100	35.0	55	400	1.0	17.5	10.0	100	KBPCW
KBPC3502W	200	35.0	55	400	1.0	17.5	10.0	200	KBPCW
KBPC3504W	400	35.0	55	400	1.0	17.5	10.0	400	KBPCW
KBPC3506W	600	35.0	55	400	1.0	17.5	10.0	600	KBPCW
KBPC3508W	800	35.0	55	400	1.0	17.5	10.0	800	KBPCW
KBPC3510W	1000	35.0	55	400	1.0	17.5	10.0	1000	KBPCW
MP35005	50	35.0	55	400	1.0	17.5	10.0	50	MP
MP3501	100	35.0	55	400	1.0	17.5	10.0	100	MP
MP3502	200	35.0	55	400	1.0	17.5	10.0	200	MP
MP3504	400	35.0	55	400	1.0	17.5	10.0	400	MP
MP3506	600	35.0	55	400	1.0	17.5	10.0	600	MP
MP3508	800	35.0	55	400	1.0	17.5	10.0	800	MP
MP3510	1000	35.0	55	400	1.0	17.5	10.0	1000	MP
MP35005W	50	35.0	55	400	1.0	17.5	10.0	50	MPW
MP3501W	100	35.0	55	400	1.0	17.5	10.0	100	MPW
MP3502W	200	35.0	55	400	1.0	17.5	10.0	200	MPW
MP3504W	400	35.0	55	400	1.0	17.5	10.0	400	MPW
MP3506W	600	35.0	55	400	1.0	17.5	10.0	600	MPW
MP3508W	800	35.0	55	400	1.0	17.5	10.0	800	MPW
MP3510W	1000	35.0	55	400	1.0	17.5	10.0	1000	MPW



KBU



MPS



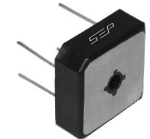
KBPC



KBPCW



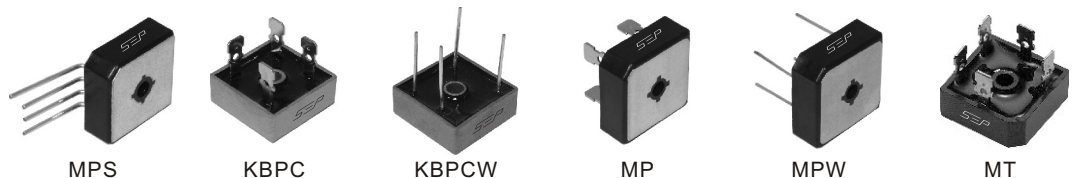
MP



MPW

## Bridge Rectifiers

Part Number	Peak Repetitive Reverse Voltage	Max. Average Rectified Current		Max. Peak Forward Surge Current	Forward Voltage Drop		Max. Reverse Current		Package
	$V_{RRM}$	$I_o@T$		$I_{FSM}$	$V_F@I_F$		$I_R@V_R$		
	V	A	°C	A	V	A	µA	V	
<b>35.0 AMP Three-Phase Bridge Rectifiers</b>									
MT35005	50	35.0	55	400	1.0	17.5	10.0	50	MT
MT3501	100	35.0	55	400	1.0	17.5	10.0	100	MT
MT3502	200	35.0	55	400	1.0	17.5	10.0	200	MT
MT3504	400	35.0	55	400	1.0	17.5	10.0	400	MT
MT3506	600	35.0	55	400	1.0	17.5	10.0	600	MT
MT3508	800	35.0	55	400	1.0	17.5	10.0	800	MT
MT3510	1000	35.0	55	400	1.0	17.5	10.0	1000	MT
MT3512	1200	35.0	55	400	1.0	17.5	10.0	1200	MT
MT3514	1400	35.0	55	400	1.0	17.5	10.0	1400	MT
MT3516	1600	35.0	55	400	1.0	17.5	10.0	1600	MT
<b>40.0 AMP Single-Phase Bridge Rectifiers</b>									
MP40005S	50	40.0	55	400	1.0	20	10.0	50	MPS
MP4001S	100	40.0	55	400	1.0	20	10.0	100	MPS
MP4002S	200	40.0	55	400	1.0	20	10.0	200	MPS
MP4004S	400	40.0	55	400	1.0	20	10.0	400	MPS
MP4006S	600	40.0	55	400	1.0	20	10.0	600	MPS
MP4008S	800	40.0	55	400	1.0	20	10.0	800	MPS
MP4010S	1000	40.0	55	400	1.0	20	10.0	1000	MPS
<b>50.0 AMP Single-Phase Bridge Rectifiers</b>									
KBPC50005	50	50.0	40	400	1.05	25	10.0	50	KBPC
KBPC5001	100	50.0	40	400	1.05	25	10.0	100	KBPC
KBPC5002	200	50.0	40	400	1.05	25	10.0	200	KBPC
KBPC5004	400	50.0	40	400	1.05	25	10.0	400	KBPC
KBPC5006	600	50.0	40	400	1.05	25	10.0	600	KBPC
KBPC5008	800	50.0	40	400	1.05	25	10.0	800	KBPC
KBPC5010	1000	50.0	40	400	1.05	25	10.0	1000	KBPC
KBPC50005W	50	50.0	55	400	1.05	25	10.0	50	KBPCW
KBPC5001W	100	50.0	55	400	1.05	25	10.0	100	KBPCW
KBPC5002W	200	50.0	55	400	1.05	25	10.0	200	KBPCW
KBPC5004W	400	50.0	55	400	1.05	25	10.0	400	KBPCW
KBPC5006W	600	50.0	55	400	1.05	25	10.0	600	KBPCW
KBPC5008W	800	50.0	55	400	1.05	25	10.0	800	KBPCW
KBPC5010W	1000	50.0	55	400	1.05	25	10.0	1000	KBPCW
MP50005	50	50.0	55	400	1.05	25	10.0	50	MP
MP5001	100	50.0	55	400	1.05	25	10.0	100	MP
MP5002	200	50.0	55	400	1.05	25	10.0	200	MP
MP5004	400	50.0	55	400	1.05	25	10.0	400	MP
MP5006	600	50.0	55	400	1.05	25	10.0	600	MP
MP5008	800	50.0	55	400	1.05	25	10.0	800	MP
MP5010	1000	50.0	55	400	1.05	25	10.0	1000	MP
MP50005W	50	50.0	55	400	1.05	25	10.0	50	MPW
MP5001W	100	50.0	55	400	1.05	25	10.0	100	MPW
MP5002W	200	50.0	55	400	1.05	25	10.0	200	MPW
MP5004W	400	50.0	55	400	1.05	25	10.0	400	MPW
MP5006W	600	50.0	55	400	1.05	25	10.0	600	MPW
MP5008W	800	50.0	55	400	1.05	25	10.0	800	MPW
MP5010W	1000	50.0	55	400	1.05	25	10.0	1000	MPW
MP50005S	50	50.0	55	400	1.05	25	10.0	50	MPS
MP5001S	100	50.0	55	400	1.05	25	10.0	100	MPS
MP5002S	200	50.0	55	400	1.05	25	10.0	200	MPS
MP5004S	400	50.0	55	400	1.05	25	10.0	400	MPS
MP5006S	600	50.0	55	400	1.05	25	10.0	600	MPS
MP5008S	800	50.0	55	400	1.05	25	10.0	800	MPS
MP5010S	1000	50.0	55	400	1.05	25	10.0	1000	MPS







# Transient Voltage Suppressor

400W Transient Voltage Suppressor .....	38
500W Transient Voltage Suppressor .....	40
600W Transient Voltage Suppressor .....	42
1500W Transient Voltage Suppressor .....	44
5000W Transient Voltage Suppressor .....	46

Transient Voltage Suppressor

Part Number		Reverse Stand-Off Voltage	Breakdown Voltage		Test Current	Max. Clamp Voltage	Peak Plus Current	Reverse Leakage	Package
			$V_{BR}@I_T$						
Uni	BI	$V_{RWM}$	Min.	Max.	$I_T$	$V_C@I_{PP}$	$I_{PP}$	$I_R@V_{RWM}$	
			V	V					
<b>400W Transient Voltage Suppressor</b>									
P4KE6.8A	P4KE6.8CA	5.80	6.45	7.14	10	10.5	39.00	1000	DO-41
P4KE7.5A	P4KE7.5CA	6.40	7.13	7.88	10	11.3	36.30	500	DO-41
P4KE8.2A	P4KE8.2CA	7.02	7.79	8.61	10	12.1	33.90	200	DO-41
P4KE9.1A	P4KE9.1CA	7.78	8.65	9.55	1	13.4	30.60	50	DO-41
P4KE10A	P4KE10CA	8.55	9.50	10.50	1	14.5	28.30	10	DO-41
P4KE11A	P4KE11CA	9.40	10.50	11.60	1	15.6	26.30	5	DO-41
P4KE12A	P4KE12CA	10.20	11.40	12.60	1	16.7	24.60	5	DO-41
P4KE13A	P4KE13CA	11.10	12.40	13.70	1	18.2	22.50	5	DO-41
P4KE15A	P4KE15CA	12.80	14.30	15.80	1	21.2	19.30	5	DO-41
P4KE16A	P4KE16CA	13.60	15.20	16.80	1	22.5	18.20	5	DO-41
P4KE18A	P4KE18CA	15.30	17.10	18.90	1	25.2	16.10	5	DO-41
P4KE20A	P4KE20CA	17.10	19.00	21.00	1	27.7	14.80	5	DO-41
P4KE22A	P4KE22CA	18.80	20.90	23.10	1	30.6	13.40	5	DO-41
P4KE24A	P4KE24CA	20.50	22.80	25.20	1	33.2	12.30	5	DO-41
P4KE27A	P4KE27CA	23.10	25.70	28.40	1	37.5	10.90	5	DO-41
P4KE30A	P4KE30CA	25.60	28.50	31.50	1	41.4	9.90	5	DO-41
P4KE33A	P4KE33CA	28.20	31.40	34.70	1	45.7	9.00	5	DO-41
P4KE36A	P4KE36CA	30.80	34.20	37.80	1	49.9	8.20	5	DO-41
P4KE39A	P4KE39CA	33.30	37.10	41.00	1	53.9	7.60	5	DO-41
P4KE43A	P4KE43CA	36.80	40.90	45.20	1	59.3	6.90	5	DO-41
P4KE47A	P4KE47CA	40.20	44.70	49.40	1	64.8	6.30	5	DO-41
P4KE51A	P4KE51CA	43.60	48.50	53.60	1	70.1	5.80	5	DO-41
P4KE56A	P4KE56CA	47.80	53.20	58.80	1	77.0	5.30	5	DO-41
P4KE62A	P4KE62CA	53.00	58.90	65.10	1	85.0	4.80	5	DO-41
P4KE68A	P4KE68CA	58.10	64.60	71.40	1	92.0	4.50	5	DO-41
P4KE75A	P4KE75CA	64.10	71.30	78.80	1	103.0	4.00	5	DO-41
P4KE82A	P4KE82CA	70.10	77.90	86.10	1	113.0	3.60	5	DO-41
P4KE91A	P4KE91CA	77.80	86.50	95.50	1	125.0	3.30	5	DO-41
P4KE100A	P4KE100CA	85.50	95.00	105.00	1	137.0	3.00	5	DO-41
P4KE110A	P4KE110CA	94.00	105.00	116.00	1	152.0	2.70	5	DO-41
P4KE120A	P4KE120CA	102.00	114.00	126.00	1	165.0	2.50	5	DO-41
P4KE130A	P4KE130CA	111.00	124.00	137.00	1	179.0	2.30	5	DO-41
P4KE150A	P4KE150CA	128.00	143.00	158.00	1	207.0	2.00	5	DO-41
P4KE160A	P4KE160CA	136.00	152.00	168.00	1	219.0	1.90	5	DO-41
P4KE170A	P4KE170CA	145.00	162.00	179.00	1	234.0	1.80	5	DO-41
P4KE180A	P4KE180CA	154.00	171.00	189.00	1	246.0	1.70	5	DO-41
P4KE200A	P4KE200CA	171.00	190.00	210.00	1	274.0	1.50	5	DO-41
P4KE220A	P4KE220CA	185.00	209.00	231.00	1	328.0	1.30	5	DO-41
P4KE250A	P4KE250CA	214.00	237.00	263.00	1	344.0	1.20	5	DO-41
P4KE300A	P4KE300CA	256.00	285.00	315.00	1	414.0	1.00	5	DO-41
P4KE350A	P4KE350CA	300.00	332.00	368.00	1	482.0	0.85	5	DO-41
P4KE400A	P4KE400CA	342.00	380.00	420.00	1	548.0	0.75	5	DO-41
P4KE440A	P4KE440CA	376.00	418.00	462.00	1	602.0	0.68	5	DO-41
P4KE480A	P4KE480CA	408.00	456.00	504.00	1	658.0	0.61	5	DO-41
P4KE510A	P4KE510CA	434.00	485.00	535.00	1	698.0	0.57	5	DO-41
P4KE530A	P4KE530CA	450.00	503.50	556.50	1	725.0	0.55	5	DO-41
P4KE540A	P4KE540CA	459.00	513.00	567.00	1	740.0	0.54	5	DO-41
P4KE550A	P4KE550CA	467.00	522.50	577.50	1	760.0	0.52	5	DO-41



DO-41

Transient Voltage Suppressor

Part Number		Reverse Stand-Off Voltage	Breakdown Voltage		Test Current	Max. Clamp Voltage	Peak Plus Current	Reverse Leakage	Package
			$V_{BR}@I_T$						
Uni	BI	$V_{RWM}$	Min.	Max.	$I_T$	$V_C@I_{PP}$	$I_{PP}$	$I_R@V_{RWM}$	
			V	V					
<b>500W Transient Voltage Suppressor</b>									
SA5.0A	SA5.0CA	5.00	6.40	7.07	10	9.2	54.3	600	DO-15
SA6.0A	SA6.0CA	6.00	6.67	7.37	10	10.3	48.5	600	DO-15
SA6.5A	SA6.5CA	6.50	7.22	7.98	10	11.2	44.6	400	DO-15
SA7.0A	SA7.0CA	7.00	7.78	8.60	10	12.0	41.7	150	DO-15
SA7.5A	SA7.5CA	7.50	8.33	9.21	1	12.9	38.8	50	DO-15
SA8.0A	SA8.0CA	8.00	8.89	9.83	1	13.6	36.8	25	DO-15
SA8.5A	SA8.5CA	8.50	9.44	10.43	1	14.4	34.7	10	DO-15
SA9.0A	SA9.0CA	9.00	10.00	11.10	1	15.4	32.5	5	DO-15
SA10A	SA10CA	10.00	11.10	12.30	1	17.0	29.4	3	DO-15
SA11A	SA11CA	11.00	12.20	13.50	1	18.2	27.5	3	DO-15
SA12A	SA12CA	12.00	13.30	14.70	1	19.9	25.1	3	DO-15
SA13A	SA13CA	13.00	14.40	15.90	1	21.5	23.3	3	DO-15
SA14A	SA14CA	14.00	15.60	17.20	1	23.2	21.6	3	DO-15
SA15A	SA15CA	15.00	16.70	18.50	1	24.4	20.5	3	DO-15
SA16A	SA16CA	16.00	17.80	19.70	1	26.0	19.2	3	DO-15
SA17A	SA17CA	17.00	18.90	20.90	1	27.6	18.1	3	DO-15
SA18A	SA18CA	18.00	20.00	22.10	1	29.2	17.1	3	DO-15
SA20A	SA20CA	20.00	22.20	24.50	1	32.4	15.4	3	DO-15
SA22A	SA22CA	22.00	24.40	27.00	1	35.5	14.1	3	DO-15
SA24A	SA24CA	24.00	26.70	29.50	1	38.9	12.9	3	DO-15
SA26A	SA26CA	26.00	28.90	31.90	1	42.1	11.9	3	DO-15
SA28A	SA28CA	28.00	31.10	34.40	1	45.4	11.0	3	DO-15
SA30A	SA30CA	30.00	33.30	36.80	1	48.4	10.3	3	DO-15
SA33A	SA33CA	33.00	36.70	40.60	1	53.3	9.4	3	DO-15
SA36A	SA36CA	36.00	40.00	44.20	1	58.1	8.6	3	DO-15
SA40A	SA40CA	40.00	44.40	49.10	1	64.5	7.8	3	DO-15
SA43A	SA43CA	43.00	47.80	52.80	1	69.4	7.2	3	DO-15
SA45A	SA45CA	45.00	50.00	55.30	1	72.7	6.9	3	DO-15
SA48A	SA48CA	48.00	53.30	58.90	1	77.4	6.5	3	DO-15
SA51A	SA51CA	51.00	56.70	62.70	1	82.4	6.1	3	DO-15
SA54A	SA54CA	54.00	60.00	66.30	1	87.1	5.7	3	DO-15
SA58A	SA58CA	58.00	64.40	71.20	1	93.6	5.3	3	DO-15
SA60A	SA60CA	60.00	66.70	73.70	1	96.8	5.2	3	DO-15
SA64A	SA64CA	64.00	71.10	78.60	1	103.0	4.9	3	DO-15
SA70A	SA70CA	70.00	77.80	86.00	1	113.0	4.4	3	DO-15
SA75A	SA75CA	75.00	83.30	92.10	1	121.0	4.1	3	DO-15
SA78A	SA78CA	78.00	86.70	95.80	1	126.0	4.0	3	DO-15
SA85A	SA85CA	85.00	94.40	104.30	1	137.0	3.6	3	DO-15
SA90A	SA90CA	90.00	100.00	110.50	1	146.0	3.4	3	DO-15
SA100A	SA100CA	100.00	111.00	122.70	1	162.0	3.1	3	DO-15
SA110A	SA110CA	110.00	122.00	134.80	1	177.0	2.8	3	DO-15
SA120A	SA120CA	120.00	133.00	147.00	1	193.0	2.6	3	DO-15
SA130A	SA130CA	130.00	144.00	159.20	1	209.0	2.4	3	DO-15
SA150A	SA150CA	150.00	167.00	184.60	1	243.0	2.1	3	DO-15
SA160A	SA160CA	160.00	178.00	196.70	1	259.0	1.9	3	DO-15
SA170A	SA170CA	170.00	189.00	208.90	1	275.0	1.8	3	DO-15



DO-15



Transient Voltage Suppressor

Part Number		Reverse Stand-Off Voltage	Breakdown Voltage		Test Current	Max. Clamp Voltage	Peak Plus Current	Reverse Leakage	Package
			$V_{BR}@I_T$						
Uni	BI	$V_{RWM}$	Min.	Max.	$I_T$	$V_C@I_{PP}$	$I_{PP}$	$I_R@V_{RWM}$	
			V	V					
<b>600W Transient Voltage Suppressor</b>									
P6KE6.8A	P6KE6.8CA	5.80	6.45	7.14	10	10.5	58.1	1000	DO-15
P6KE7.5A	P6KE7.5CA	6.40	7.13	7.88	10	11.3	54.0	500	DO-15
P6KE8.2A	P6KE8.2CA	7.02	7.79	8.61	10	12.1	50.4	200	DO-15
P6KE9.1A	P6KE9.1CA	7.78	8.65	9.55	1	13.4	45.5	50	DO-15
P6KE10A	P6KE10CA	8.55	9.50	10.50	1	14.5	42.1	10	DO-15
P6KE11A	P6KE11CA	9.40	10.50	11.60	1	15.6	39.1	5	DO-15
P6KE12A	P6KE12CA	10.20	11.40	12.60	1	16.7	36.5	5	DO-15
P6KE13A	P6KE13CA	11.10	12.40	13.70	1	18.2	33.5	5	DO-15
P6KE15A	P6KE15CA	12.80	14.30	15.80	1	21.2	28.8	5	DO-15
P6KE16A	P6KE16CA	13.60	15.20	16.80	1	22.5	27.1	5	DO-15
P6KE18A	P6KE18CA	15.30	17.10	18.90	1	25.2	24.2	5	DO-15
P6KE20A	P6KE20CA	17.10	19.00	21.00	1	27.7	22.0	5	DO-15
P6KE22A	P6KE22CA	18.80	20.90	23.10	1	30.6	19.9	5	DO-15
P6KE24A	P6KE24CA	20.50	22.80	25.20	1	33.2	18.4	5	DO-15
P6KE27A	P6KE27CA	23.10	25.70	28.40	1	37.5	16.3	5	DO-15
P6KE30A	P6KE30CA	25.60	28.50	31.50	1	41.4	14.7	5	DO-15
P6KE33A	P6KE33CA	28.20	31.40	34.70	1	45.7	13.3	5	DO-15
P6KE36A	P6KE36CA	30.80	34.20	37.80	1	49.9	12.2	5	DO-15
P6KE39A	P6KE39CA	33.30	37.10	41.00	1	53.9	11.3	5	DO-15
P6KE43A	P6KE43CA	36.80	40.90	45.20	1	59.3	10.3	5	DO-15
P6KE47A	P6KE47CA	40.20	44.70	49.40	1	64.8	9.4	5	DO-15
P6KE51A	P6KE51CA	43.60	48.50	53.60	1	70.1	8.7	5	DO-15
P6KE56A	P6KE56CA	47.80	53.20	58.80	1	77.0	7.9	5	DO-15
P6KE62A	P6KE62CA	53.00	58.90	65.10	1	85.0	7.2	5	DO-15
P6KE68A	P6KE68CA	58.10	64.60	71.40	1	92.0	6.6	5	DO-15
P6KE75A	P6KE75CA	64.10	71.30	78.80	1	103.0	5.9	5	DO-15
P6KE82A	P6KE82CA	70.10	77.90	86.10	1	113.0	5.4	5	DO-15
P6KE91A	P6KE91CA	77.80	86.50	95.50	1	125.0	4.9	5	DO-15
P6KE100A	P6KE100CA	85.50	95.00	105.00	1	137.0	4.5	5	DO-15
P6KE110A	P6KE110CA	94.00	105.00	116.00	1	152.0	4.0	5	DO-15
P6KE120A	P6KE120CA	102.00	114.00	126.00	1	165.0	3.7	5	DO-15
P6KE130A	P6KE130CA	111.00	124.00	137.00	1	179.0	3.4	5	DO-15
P6KE150A	P6KE150CA	128.00	143.00	158.00	1	207.0	2.9	5	DO-15
P6KE160A	P6KE160CA	136.00	152.00	168.00	1	219.0	2.8	5	DO-15
P6KE170A	P6KE170CA	145.00	162.00	179.00	1	234.0	2.6	5	DO-15
P6KE180A	P6KE180CA	154.00	171.00	189.00	1	246.0	2.5	5	DO-15
P6KE200A	P6KE200CA	171.00	190.00	210.00	1	274.0	2.2	5	DO-15
P6KE220A	P6KE220CA	185.00	209.00	231.00	1	328.0	1.9	5	DO-15
P6KE250A	P6KE250CA	214.00	237.00	263.00	1	344.0	1.8	5	DO-15
P6KE300A	P6KE300CA	256.00	285.00	315.00	1	414.0	1.5	5	DO-15
P6KE350A	P6KE350CA	300.00	332.00	368.00	1	482.0	1.3	5	DO-15
P6KE400A	P6KE400CA	342.00	380.00	420.00	1	548.0	1.1	5	DO-15
P6KE440A	P6KE440CA	376.00	418.00	462.00	1	602.0	1.0	5	DO-15
P6KE480A	P6KE480CA	408.00	456.00	504.00	1	658.0	0.9	5	DO-15
P6KE510A	P6KE510CA	434.00	485.00	535.00	1	698.0	0.9	5	DO-15
P6KE530A	P6KE530CA	450.00	503.50	556.50	1	725.0	0.8	5	DO-15
P6KE540A	P6KE540CA	459.00	513.00	567.00	1	740.0	0.8	5	DO-15
P6KE550A	P6KE550CA	467.00	522.50	577.50	1	760.0	0.8	5	DO-15



DO-15

Transient Voltage Suppressor

Part Number		Reverse Stand-Off Voltage	Breakdown Voltage		Test Current	Max. Clamp Voltage	Peak Plus Current	Reverse Leakage	Package
			$V_{BR}@I_T$						
Uni	BI	$V_{RWM}$	Min.	Max.	$I_T$	$V_C@I_{PP}$	$I_{PP}$	$I_R@V_{RWM}$	
			V	V					
<b>1500W Transient Voltage Suppressor</b>									
1.5KE6.8A	1.5KE6.8CA	5.80	6.45	7.14	10	10.50	144.8	1000	DO-201
1.5KE7.5A	1.5KE7.5CA	6.40	7.13	7.88	10	11.30	134.5	500	DO-201
1.5KE8.2A	1.5KE8.2CA	7.02	7.79	8.61	10	12.10	125.6	200	DO-201
1.5KE9.1A	1.5KE9.1CA	7.78	8.65	9.50	1	13.40	113.4	50	DO-201
1.5KE10A	1.5KE10CA	8.55	9.50	10.50	1	14.50	104.8	10	DO-201
1.5KE11A	1.5KE11CA	9.40	10.50	11.60	1	15.60	97.4	5	DO-201
1.5KE12A	1.5KE12CA	10.20	11.40	12.60	1	16.70	91.0	5	DO-201
1.5KE13A	1.5KE13CA	11.10	12.40	13.70	1	18.20	83.5	5	DO-201
1.5KE15A	1.5KE15CA	12.80	14.30	15.80	1	21.20	71.7	5	DO-201
1.5KE16A	1.5KE16CA	13.60	15.20	16.80	1	22.50	67.6	5	DO-201
1.5KE18A	1.5KE18CA	15.30	17.10	18.90	1	25.20	60.3	5	DO-201
1.5KE20A	1.5KE20CA	17.10	19.00	21.00	1	27.70	54.9	5	DO-201
1.5KE22A	1.5KE22CA	18.80	20.90	23.10	1	30.60	49.7	5	DO-201
1.5KE24A	1.5KE24CA	20.50	22.80	25.20	1	33.20	45.8	5	DO-201
1.5KE27A	1.5KE27CA	23.10	25.70	28.40	1	37.50	40.5	5	DO-201
1.5KE30A	1.5KE30CA	25.60	28.50	31.50	1	41.40	36.7	5	DO-201
1.5KE33A	1.5KE33CA	28.20	31.40	34.70	1	45.70	33.3	5	DO-201
1.5KE36A	1.5KE36CA	30.80	34.20	37.80	1	49.90	30.5	5	DO-201
1.5KE39A	1.5KE39CA	33.30	37.10	41.00	1	53.90	28.2	5	DO-201
1.5KE43A	1.5KE43CA	36.80	40.90	45.20	1	59.30	25.6	5	DO-201
1.5KE47A	1.5KE47CA	40.20	44.70	49.40	1	64.80	23.5	5	DO-201
1.5KE51A	1.5KE51CA	43.60	48.50	53.60	1	70.10	21.7	5	DO-201
1.5KE56A	1.5KE56CA	47.80	53.20	58.80	1	77.00	19.7	5	DO-201
1.5KE62A	1.5KE62CA	53.00	58.90	65.10	1	85.00	17.9	5	DO-201
1.5KE68A	1.5KE68CA	58.10	64.60	71.40	1	92.00	16.5	5	DO-201
1.5KE75A	1.5KE75CA	64.10	71.30	78.80	1	103.00	14.8	5	DO-201
1.5KE82A	1.5KE82CA	70.10	77.90	86.10	1	113.00	13.5	5	DO-201
1.5KE91A	1.5KE91CA	77.80	86.50	95.50	1	125.00	12.2	5	DO-201
1.5KE100A	1.5KE100CA	85.50	95.00	105.00	1	137.00	11.1	5	DO-201
1.5KE110A	1.5KE110CA	94.00	105.00	116.00	1	152.00	10.0	5	DO-201
1.5KE120A	1.5KE120CA	102.00	114.00	126.00	1	165.00	9.2	5	DO-201
1.5KE130A	1.5KE130CA	111.00	124.00	137.00	1	179.00	8.5	5	DO-201
1.5KE150A	1.5KE150CA	128.00	143.00	158.00	1	207.00	7.3	5	DO-201
1.5KE160A	1.5KE160CA	136.00	152.00	168.00	1	219.00	6.9	5	DO-201
1.5KE170A	1.5KE170CA	145.00	162.00	179.00	1	234.00	6.5	5	DO-201
1.5KE180A	1.5KE180CA	154.00	171.00	189.00	1	246.00	6.2	5	DO-201
1.5KE200A	1.5KE200CA	171.00	190.00	210.00	1	274.00	5.5	5	DO-201
1.5KE220A	1.5KE220CA	185.00	209.00	231.00	1	328.00	4.6	5	DO-201
1.5KE250A	1.5KE250CA	214.00	237.00	263.00	1	344.00	4.4	5	DO-201
1.5KE300A	1.5KE300CA	256.00	285.00	315.00	1	414.00	3.7	5	DO-201
1.5KE350A	1.5KE350CA	300.00	332.00	368.00	1	482.00	3.2	5	DO-201
1.5KE400A	1.5KE400CA	342.00	380.00	420.00	1	548.00	2.8	5	DO-201
1.5KE440A	1.5KE440CA	376.00	418.00	462.00	1	602.00	2.5	5	DO-201
1.5KE480A	1.5KE480CA	408.00	456.00	504.00	1	658.00	2.3	5	DO-201
1.5KE510A	1.5KE510CA	434.00	485.00	535.00	1	698.00	2.1	5	DO-201
1.5KE530A	1.5KE530CA	450.00	503.50	556.50	1	725.00	2.1	5	DO-201
1.5KE540A	1.5KE540CA	459.00	513.00	567.00	1	740.00	2.0	5	DO-201
1.5KE550A	1.5KE550CA	467.00	522.50	577.50	1	760.00	2.0	5	DO-201



DO-201

Transient Voltage Suppressor

Part Number		Reverse Stand-Off Voltage	Breakdown Voltage		Test Current	Max. Clamp Voltage	Peak Plus Current	Reverse Leakage	Package
			$V_{BR}@I_T$						
Uni	BI	$V_{RWM}$	Min.	Max.	$I_T$	$V_C@I_{PP}$	$I_{PP}$	$I_R@V_{RWM}$	
			V	V					
<b>5000W Transient Voltage Suppressor</b>									
5KP5.0A	5KP5.0CA	5.0	6.40	7.00	50	9.2	544.0	5000	R-6
5KP6.0A	5KP6.0CA	6.0	6.67	7.37	50	10.3	486.0	5000	R-6
5KP6.5A	5KP6.5CA	6.5	7.22	7.98	50	11.2	447.0	2000	R-6
5KP7.0A	5KP7.0CA	7.0	7.78	8.60	50	12.0	417.0	1000	R-6
5KP7.5A	5KP7.5CA	7.5	8.33	9.21	5	12.9	388.0	250	R-6
5KP8.0A	5KP8.0CA	8.0	8.89	9.83	5	13.6	368.0	150	R-6
5KP8.5A	5KP8.5CA	8.5	9.44	10.40	5	14.4	348.0	10	R-6
5KP9.0A	5KP9.0CA	9.0	10.00	11.10	5	15.4	325.0	10	R-6
5KP10A	5KP10CA	10.0	11.10	12.30	5	17.0	295.0	10	R-6
5KP11A	5KP11CA	11.0	12.20	13.50	5	18.2	275.0	10	R-6
5KP12A	5KP12CA	12.0	13.30	14.70	5	19.9	252.0	10	R-6
5KP13A	5KP13CA	13.0	14.40	15.90	5	21.5	233.0	10	R-6
5KP14A	5KP14CA	14.0	15.60	17.20	5	23.2	216.0	10	R-6
5KP15A	5KP15CA	15.0	16.70	18.50	5	24.4	205.0	10	R-6
5KP16A	5KP16CA	16.0	17.80	19.70	5	26.0	193.0	10	R-6
5KP17A	5KP17CA	17.0	18.90	20.90	5	27.6	181.0	10	R-6
5KP18A	5KP18CA	18.0	20.00	22.10	5	29.2	172.0	10	R-6
5KP20A	5KP20CA	20.0	22.20	24.50	5	32.4	154.0	10	R-6
5KP22A	5KP22CA	22.0	24.00	26.90	5	35.5	141.0	10	R-6
5KP24A	5KP24CA	24.0	26.70	29.50	5	38.9	129.0	10	R-6
5KP26A	5KP26CA	26.0	28.90	31.90	5	42.1	119.0	10	R-6
5KP28A	5KP28CA	28.0	31.10	34.40	5	45.4	110.0	10	R-6
5KP30A	5KP30CA	30.0	33.30	36.80	5	48.4	103.0	10	R-6
5KP33A	5KP33CA	33.0	36.70	40.60	5	53.3	93.9	10	R-6
5KP36A	5KP36CA	36.0	40.00	44.20	5	58.1	86.1	10	R-6
5KP40A	5KP40CA	40.0	44.40	49.10	5	64.5	77.6	10	R-6
5KP43A	5KP43CA	43.0	47.80	52.80	5	69.4	72.1	10	R-6
5KP45A	5KP45CA	45.0	50.00	55.30	5	72.7	68.8	10	R-6
5KP48A	5KP48CA	48.0	53.30	58.90	5	77.4	64.7	10	R-6
5KP51A	5KP51CA	51.0	56.70	62.70	5	82.4	60.7	10	R-6
5KP54A	5KP54CA	54.0	60.00	66.30	5	87.1	57.5	10	R-6
5KP58A	5KP58CA	58.0	64.40	71.20	5	93.6	53.5	10	R-6
5KP60A	5KP60CA	60.0	66.70	73.70	5	96.8	51.7	10	R-6
5KP64A	5KP64CA	64.0	71.10	78.60	5	103.0	48.6	10	R-6
5KP70A	5KP70CA	70.0	77.80	86.00	5	113.0	44.3	10	R-6
5KP75A	5KP75CA	75.0	83.30	92.10	5	121.0	41.4	10	R-6
5KP78A	5KP78CA	78.0	86.70	95.80	5	126.0	39.7	10	R-6
5KP85A	5KP85CA	85.0	94.40	104.00	5	137.0	36.5	10	R-6
5KP90A	5KP90CA	90.0	100.00	111.00	5	146.0	34.3	10	R-6
5KP100A	5KP100CA	100.0	110.00	123.00	5	162.0	30.9	10	R-6
5KP110A	5KP110CA	110.0	122.00	135.00	5	177.0	28.3	10	R-6
5KP120A	5KP120CA	120.0	133.00	147.00	5	193.0	26.0	10	R-6
5KP130A	5KP130CA	130.0	144.00	159.00	5	209.0	24.0	10	R-6
5KP150A	5KP150CA	150.0	167.00	185.00	5	243.0	20.6	10	R-6
5KP160A	5KP160CA	160.0	178.00	197.00	5	259.0	19.3	10	R-6
5KP170A	5KP170CA	170.0	189.00	209.00	5	275.0	18.2	10	R-6
5KP180A	5KP180CA	180.0	200.00	221.00	5	292.0	17.6	10	R-6
5KP190A	5KP190CA	190.0	211.00	233.00	5	310.0	9.7	10	R-6
5KP200A	5KP200CA	200.0	222.00	246.00	5	329.2	9.1	10	R-6
5KP210A	5KP210CA	210.0	233.00	258.00	5	349.5	8.6	10	R-6
5KP220A	5KP220CA	220.0	244.00	270.00	5	371.1	8.1	10	R-6



R-6



# Switching Diodes

500 mWatts Switching Diodes ..... 50

### Switching Diodes

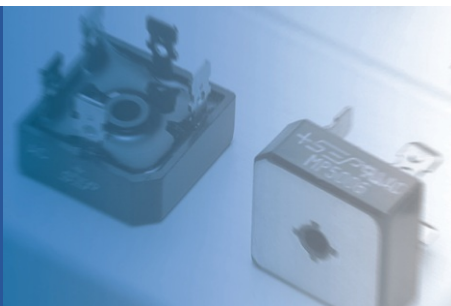
Part Number	Peak Reverse Voltage	Reverse Recovery Time	Power Dissipation	Max. Peak Forward Surge Current	Forward Voltage Drop		Max. Reverse Current		Package
	$V_{RM}$	$T_{RR}$	$P_{TOT}$	$I_{FSM}$	$V_F@I_F$		$I_R@V_R$		
	V	nS	mW	A	V	A	$\mu A$	V	
<b>500 mWatts Switching Diodes</b>									
1N4148	100	4.0	500	0.5	1.0	0.1	25	100	DO-35
LL4148	100	4.0	500	0.5	1.0	0.1	25	100	Mini-MELF



DO-35



Mini-MELF

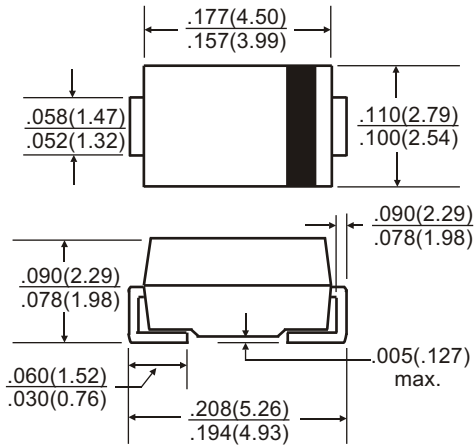


## Appendix

Outline Drawing .....	46
Product Carton Specification .....	55

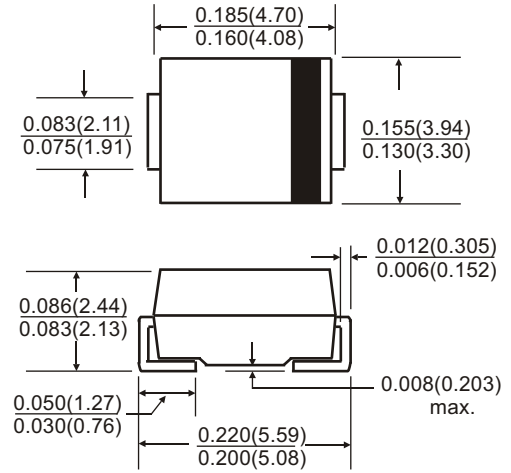
# Outline Drawing

## SMA / DO-214AC



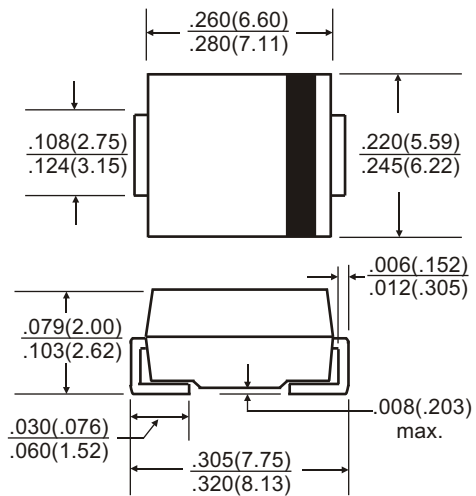
Dimensions in inches and (millimeters)

## SMB / DO-214AA



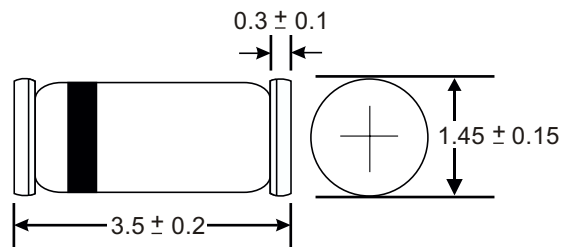
Dimensions in inches and (millimeters)

## SMC / DO-214AB



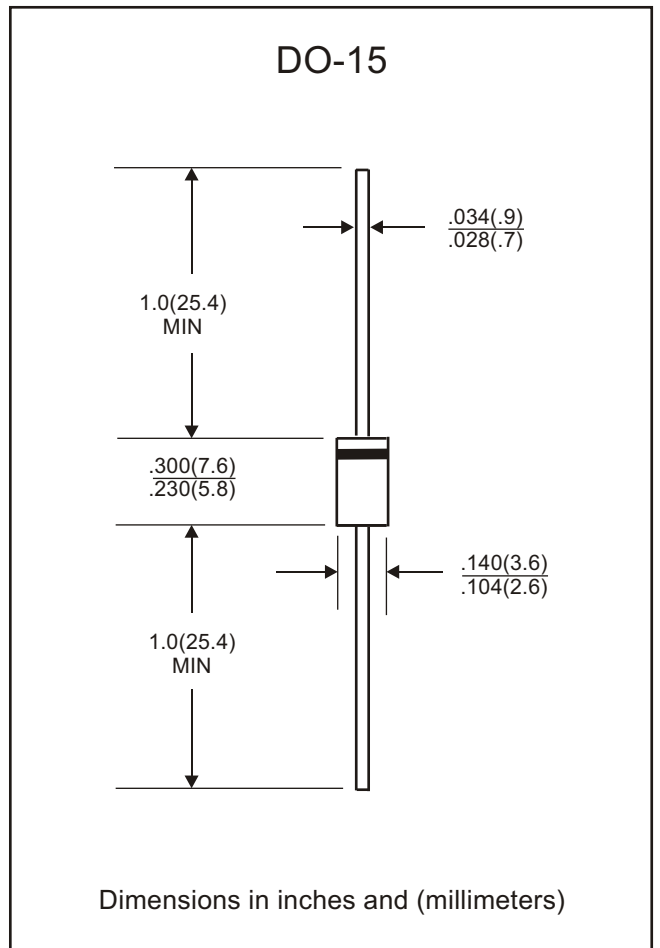
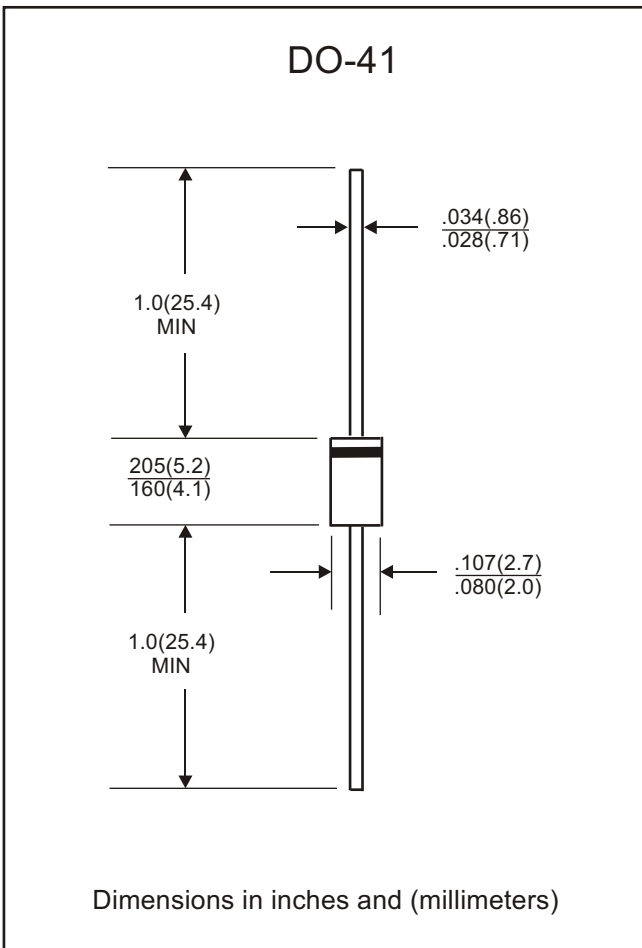
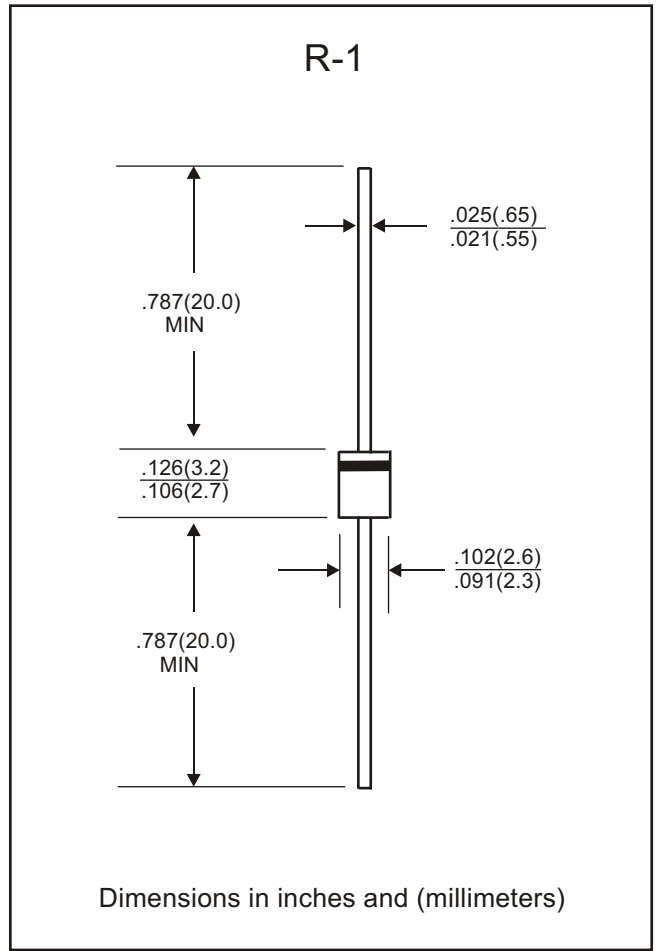
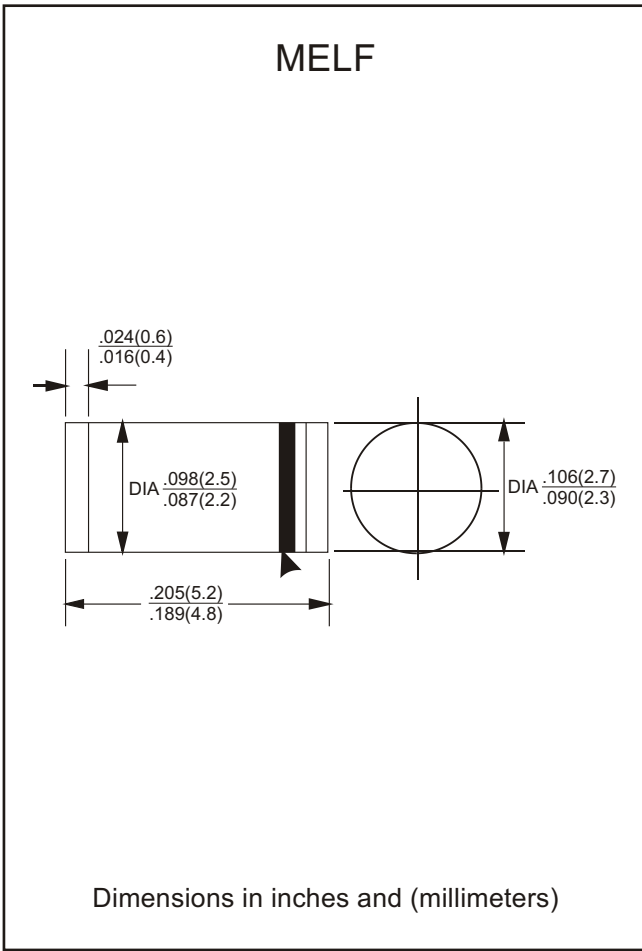
Dimensions in inches and (millimeters)

## MINI-MELF



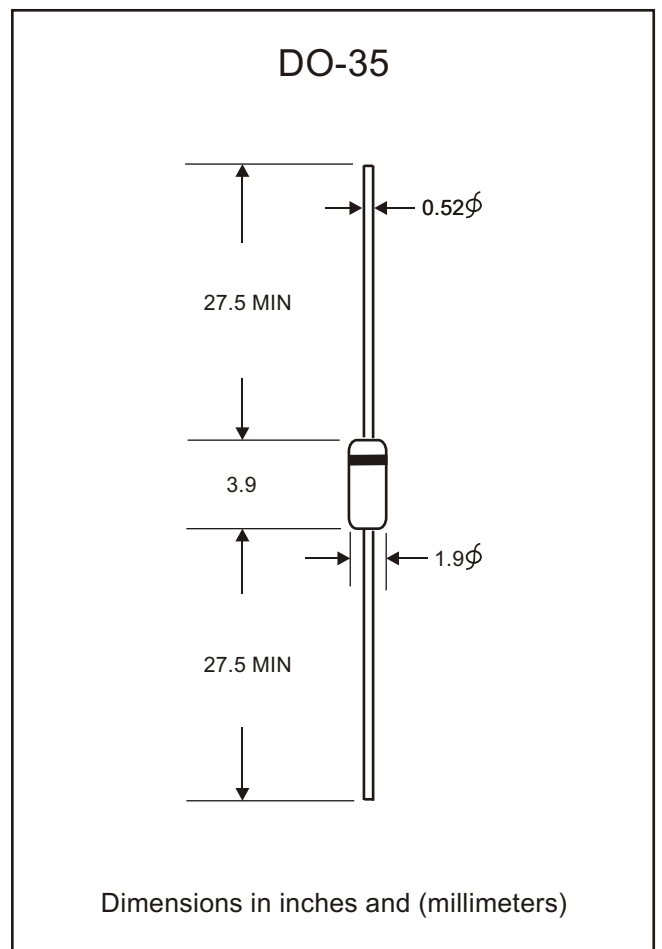
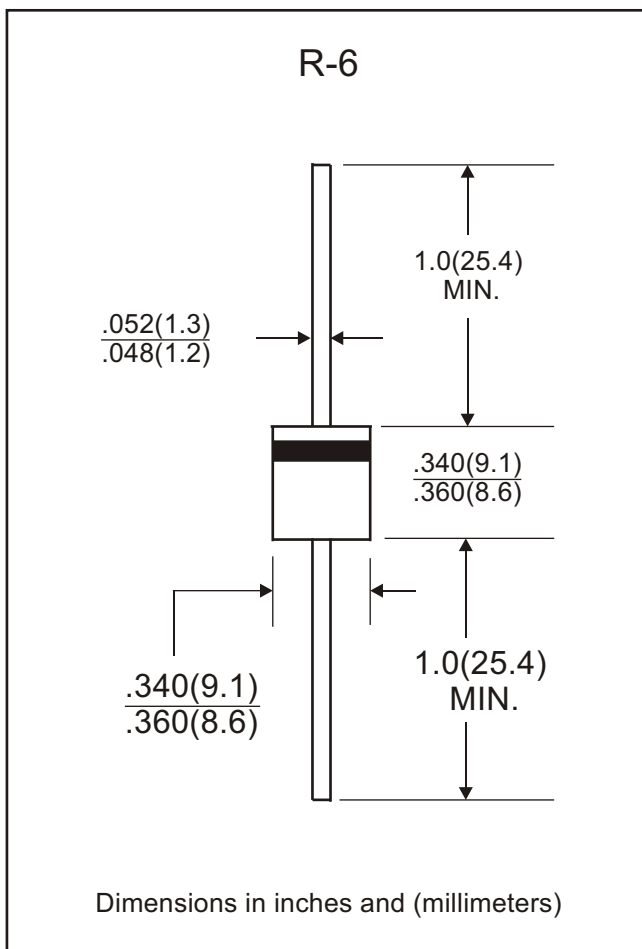
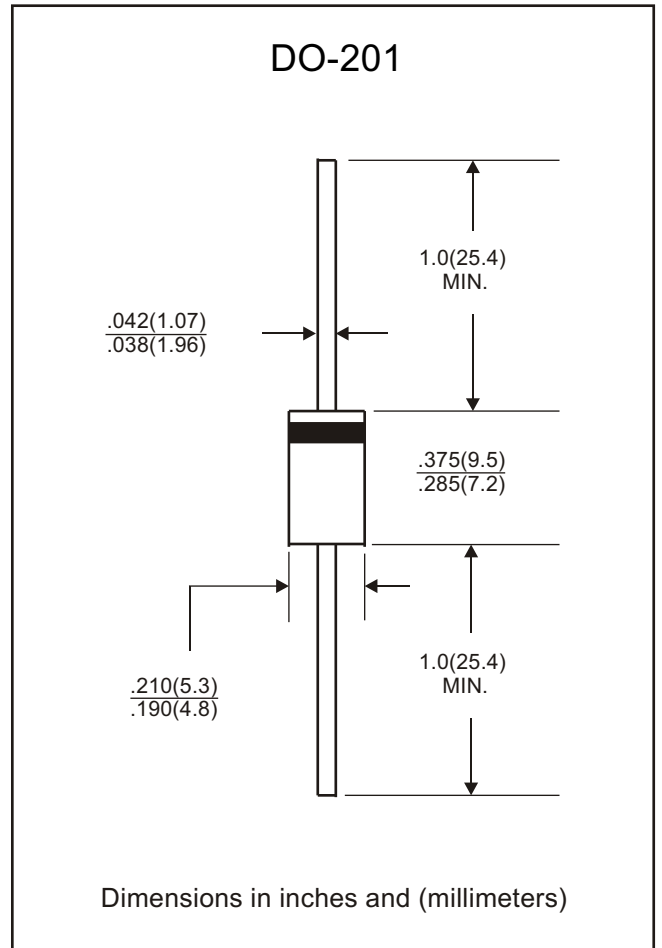
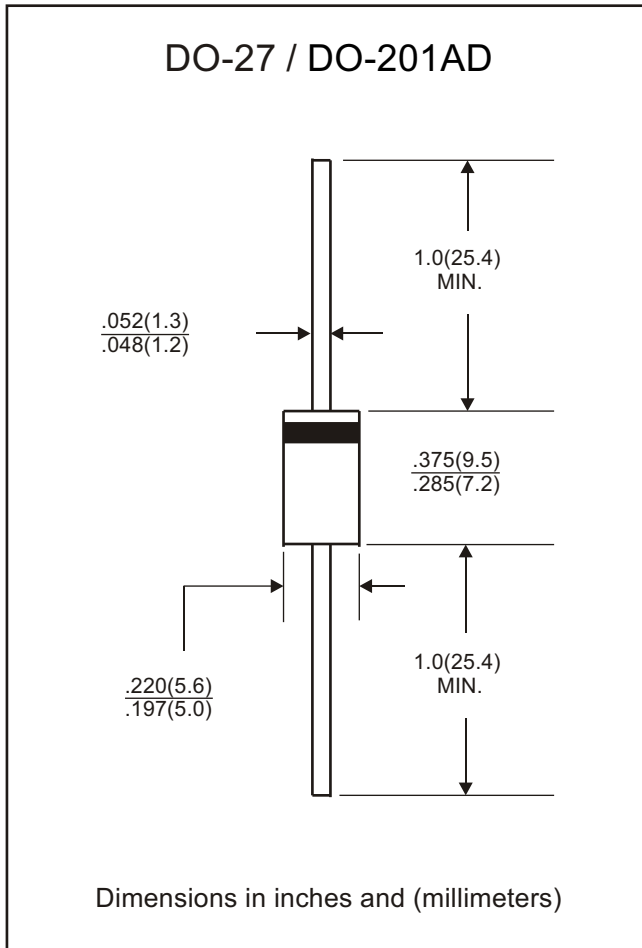
Dimensions in millimeters

# Outline Drawing

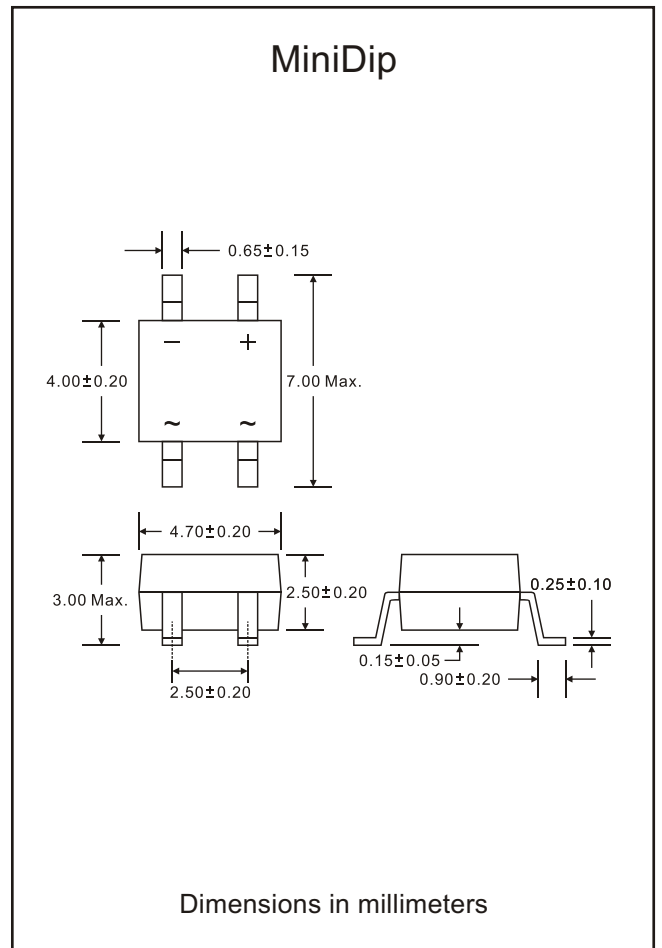
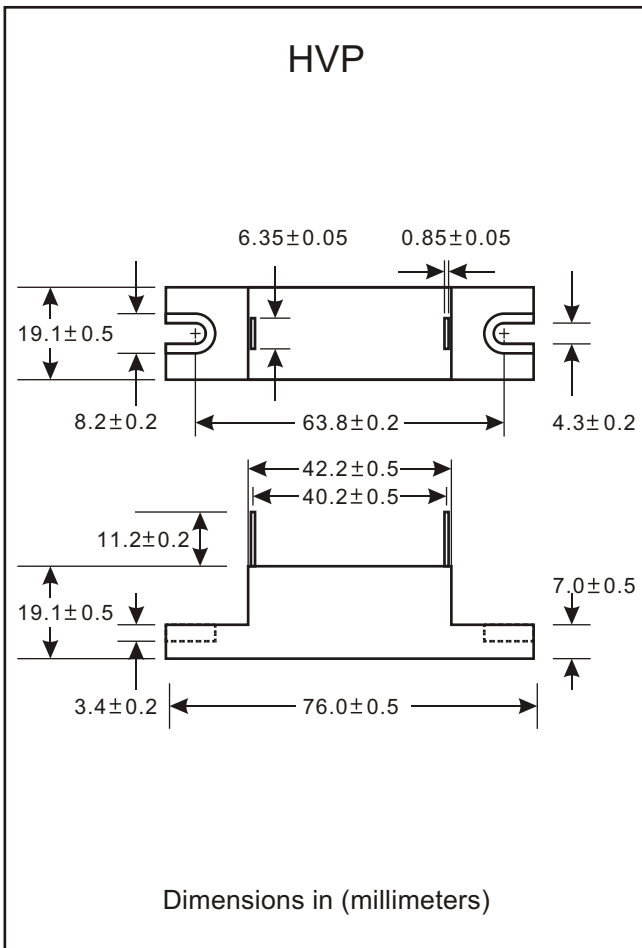
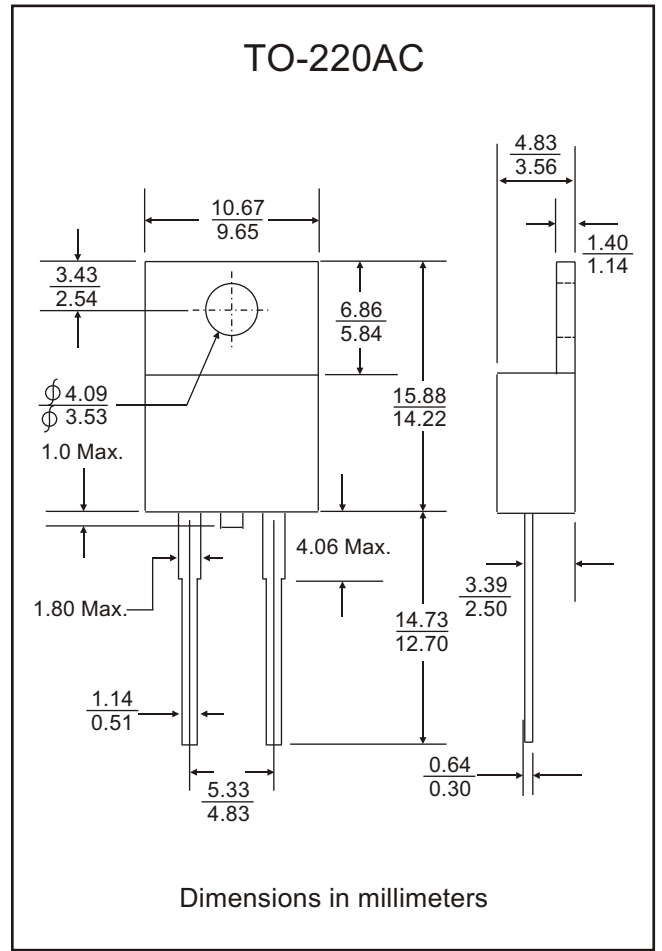
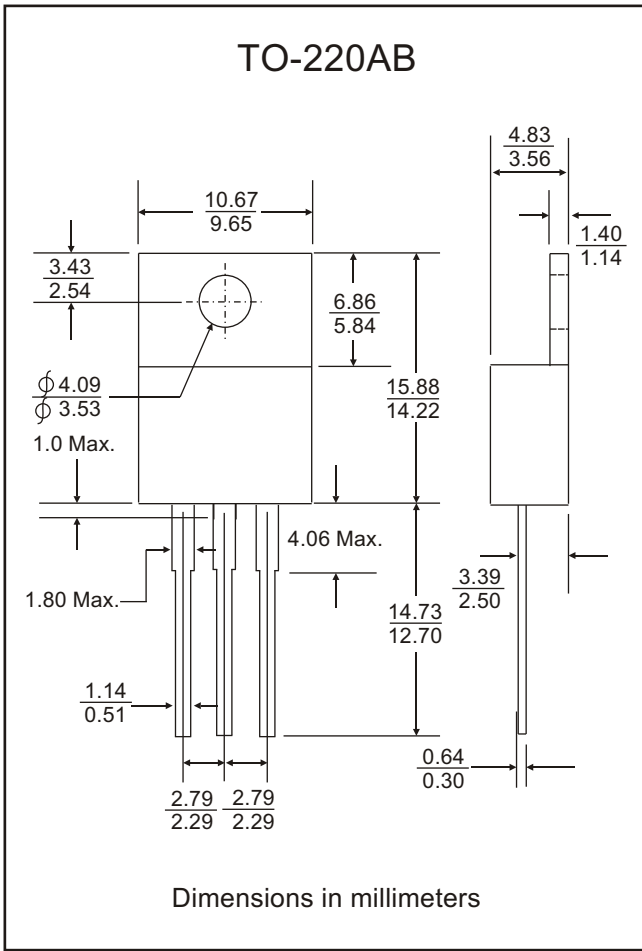




# Outline Drawing

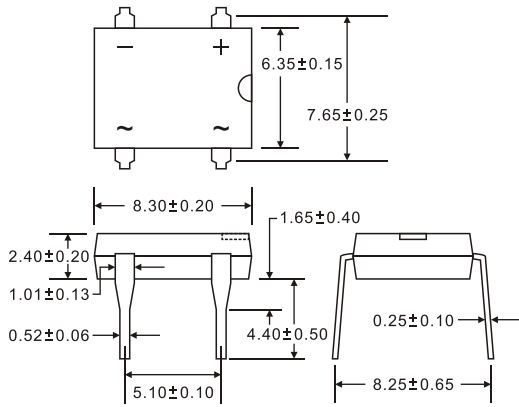


# Outline Drawing



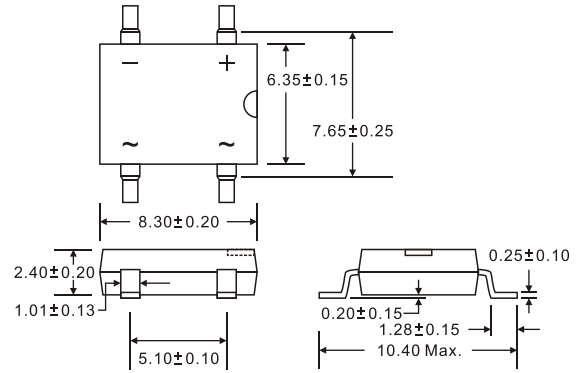
# Outline Drawing

## DB



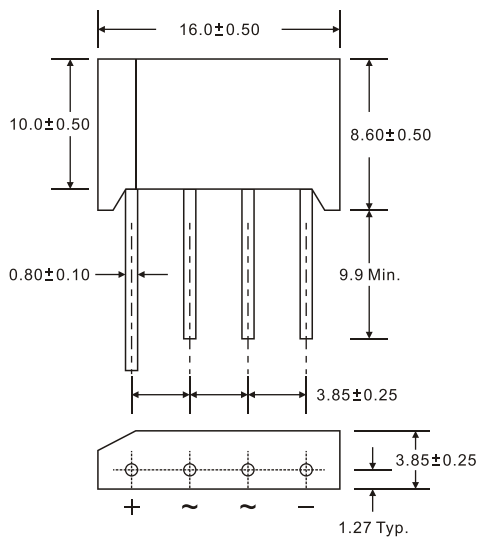
Dimensions in millimeters

## DBS



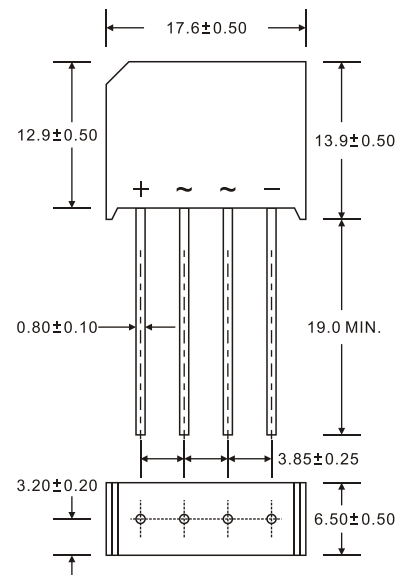
Dimensions in millimeters

## RS1



Dimensions in millimeters

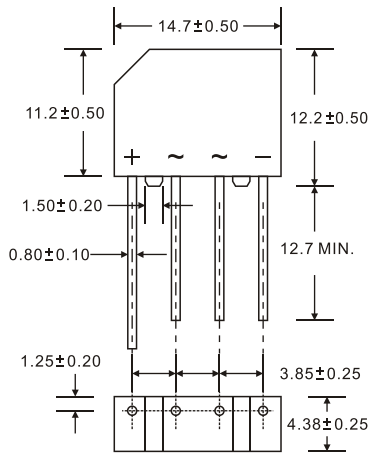
## RS2



Dimensions in millimeters

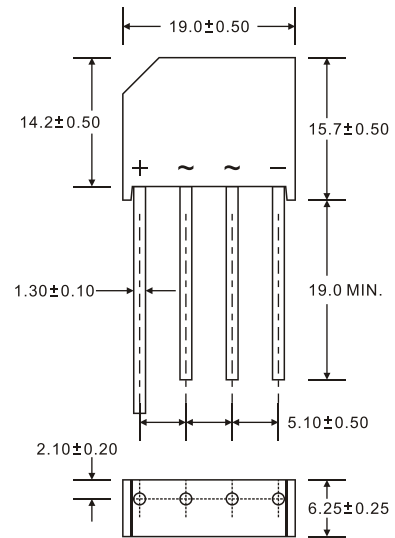
# Outline Drawing

## KBP



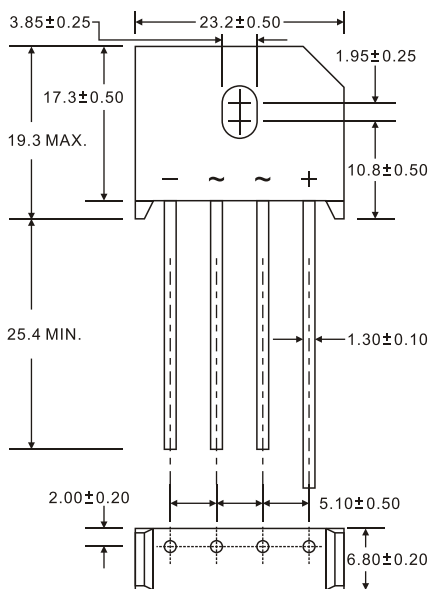
Dimensions in millimeters

## KBL



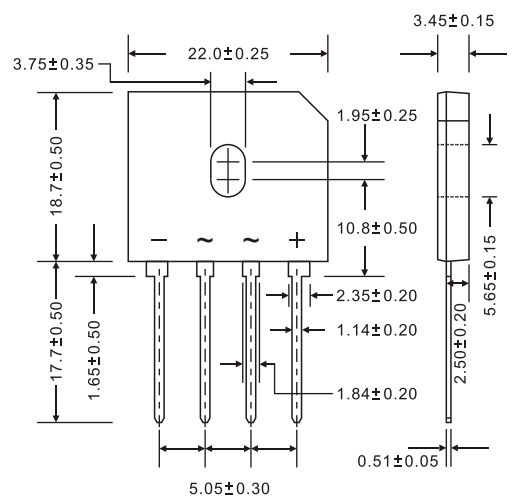
Dimensions in millimeters

## KBU



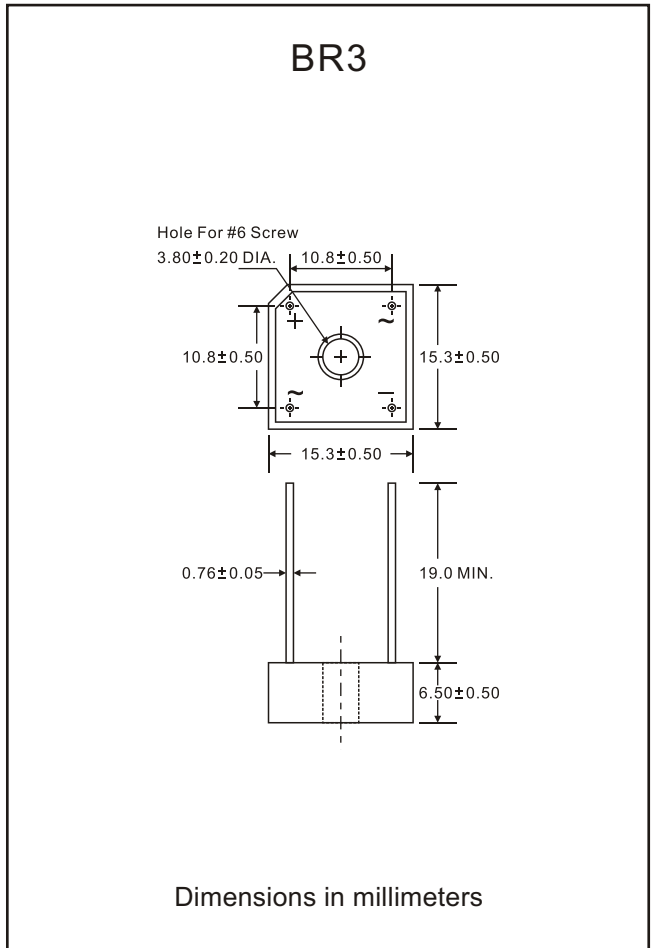
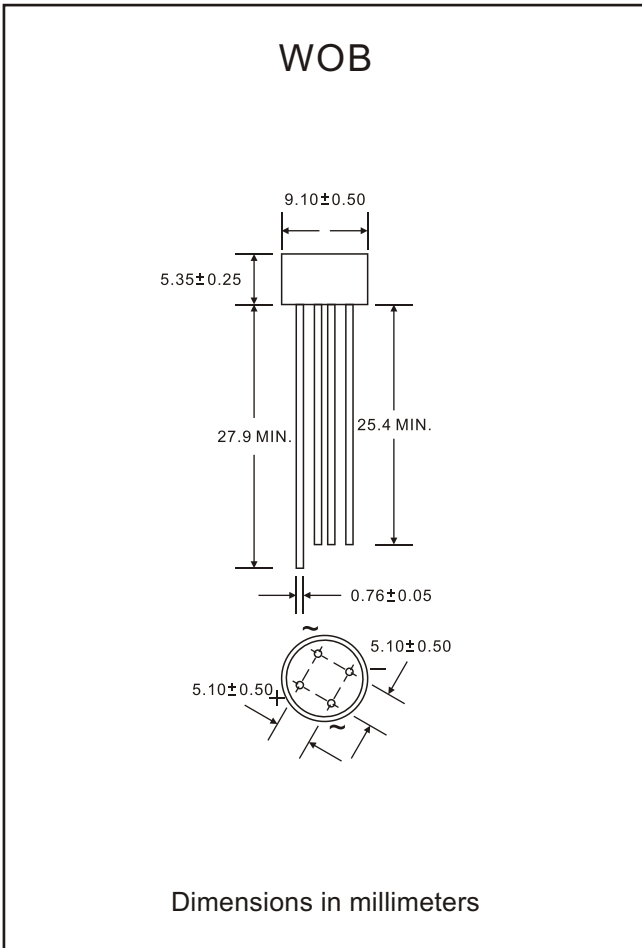
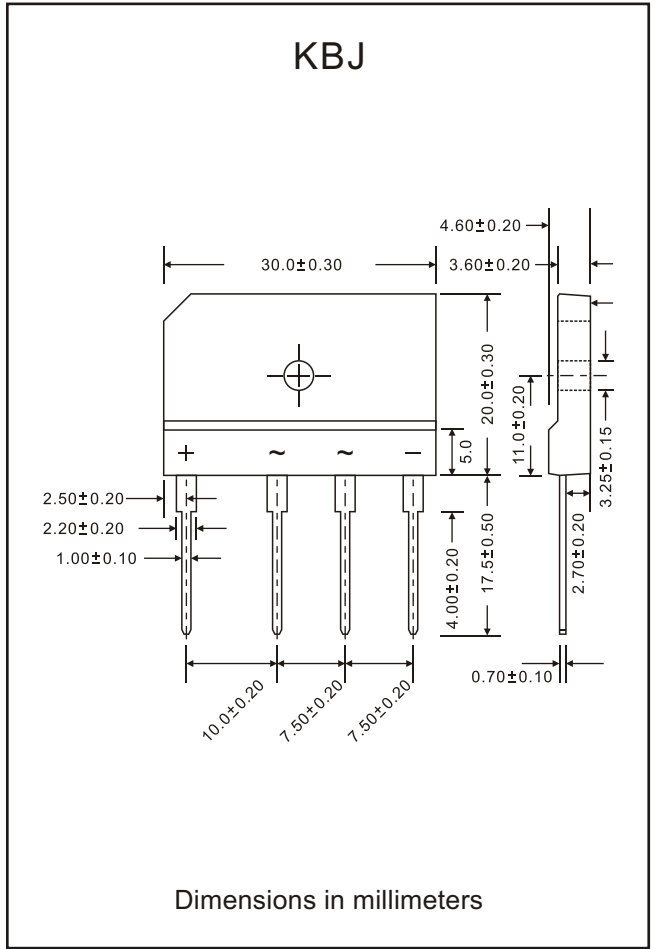
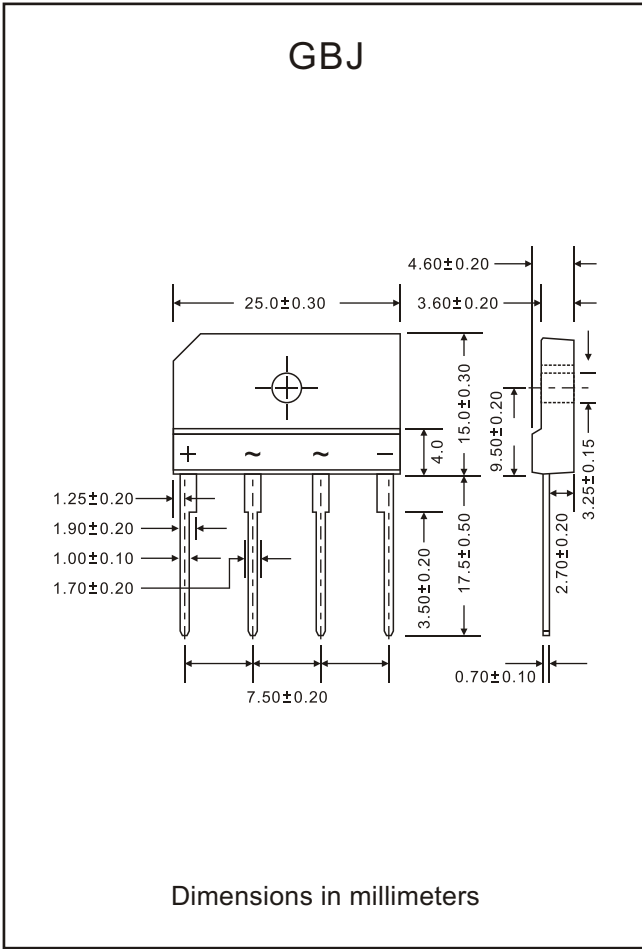
Dimensions in millimeters

## GBU



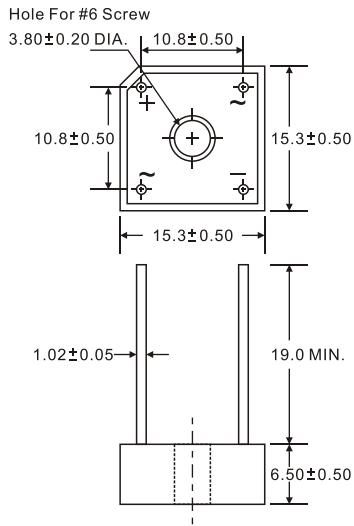
Dimensions in millimeters

# Outline Drawing



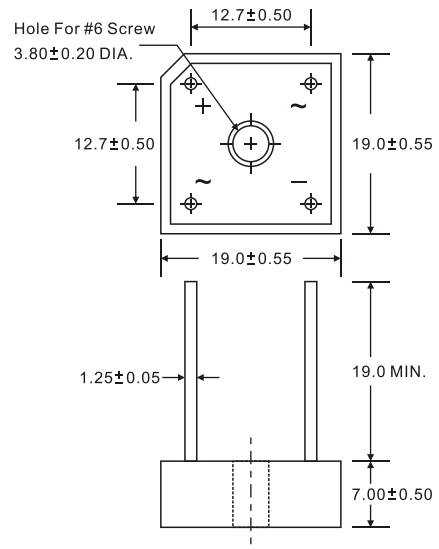
# Outline Drawing

## BR6



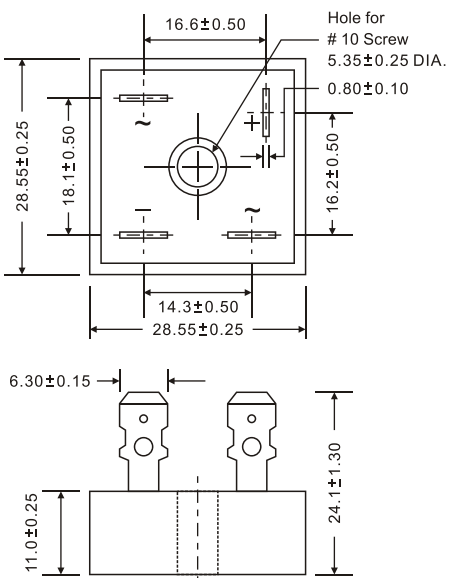
Dimensions in millimeters

## BR8



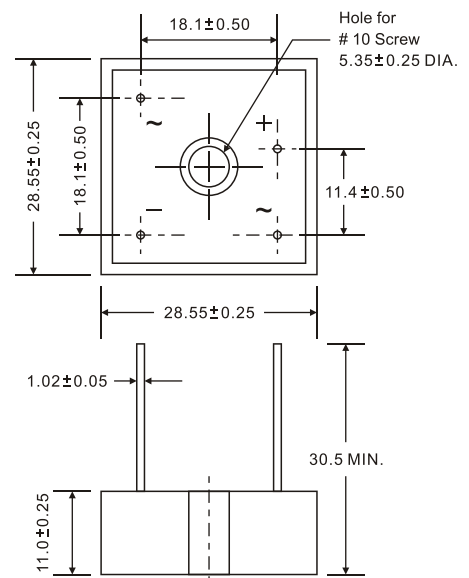
Dimensions in millimeters

## KBPC



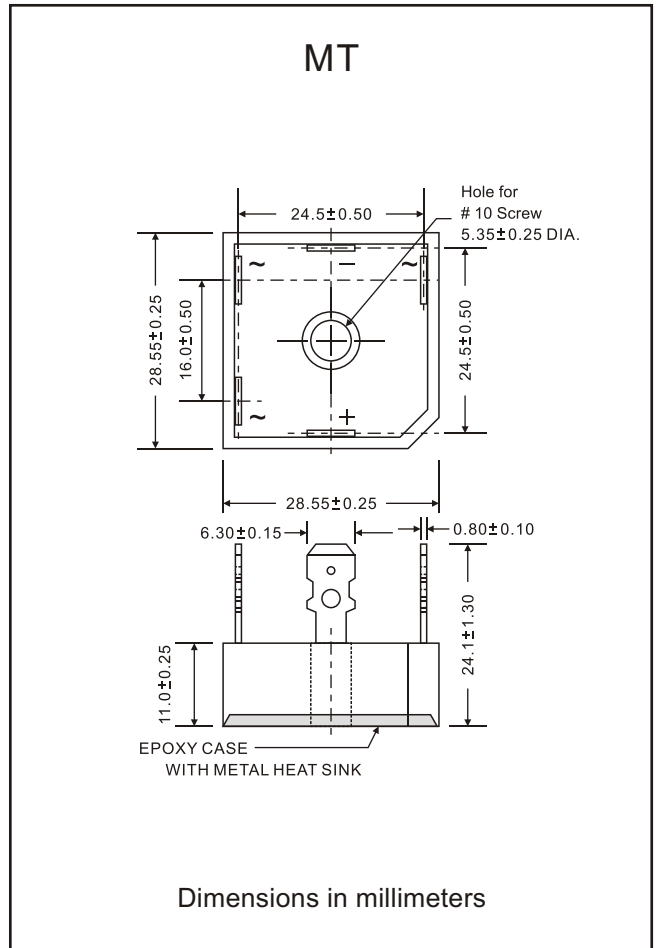
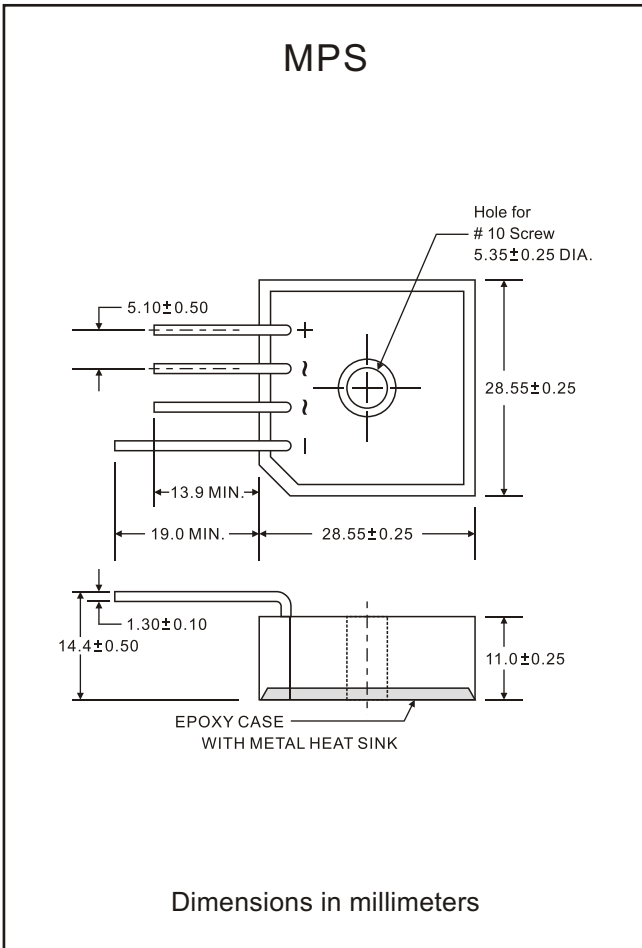
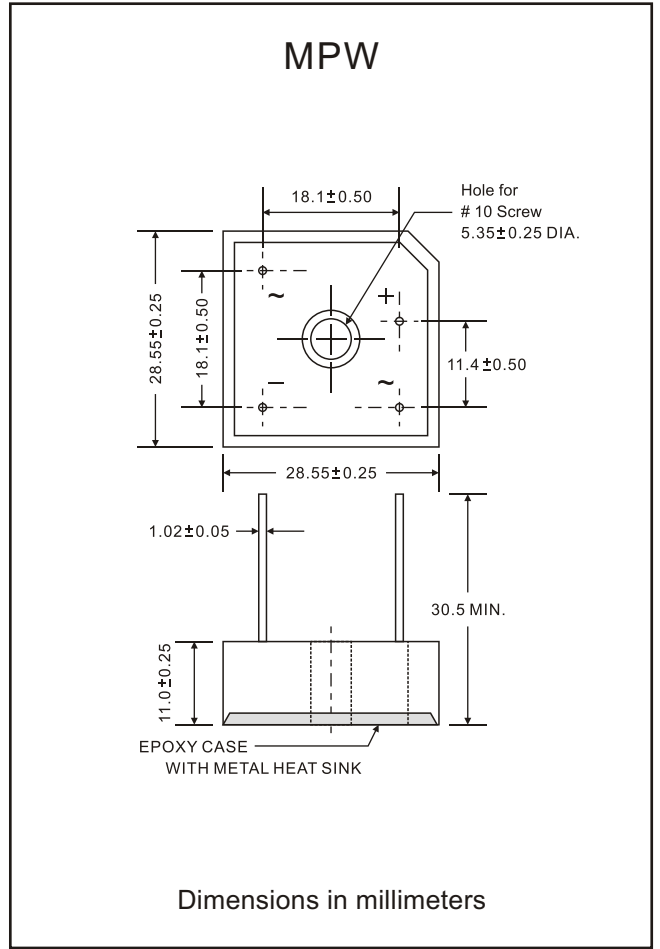
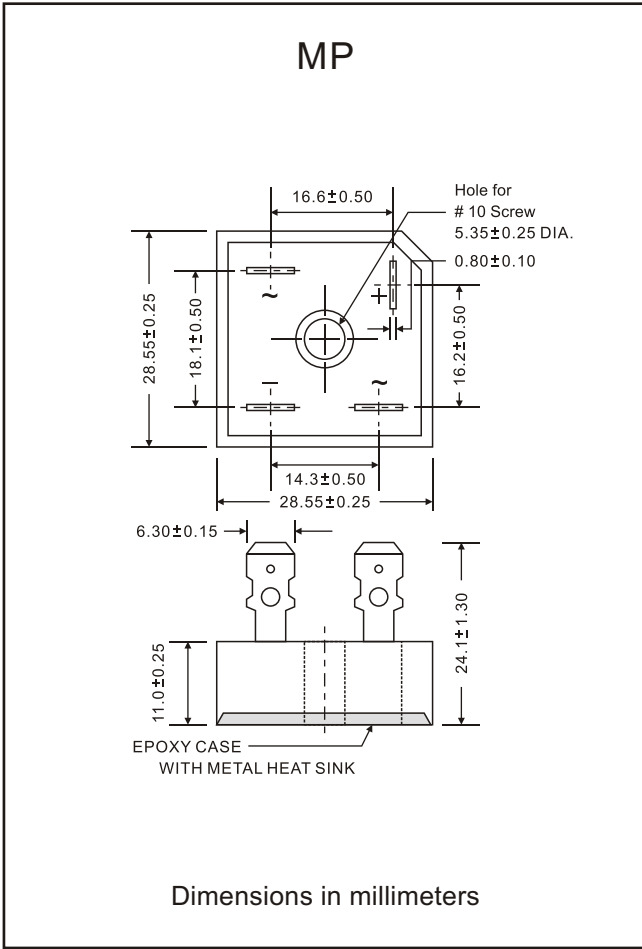
Dimensions in millimeters

## KBPCW



Dimensions in millimeters

# Outline Drawing



# Product Carton Specification

## REEL PACKAGING ( T/R )

PACKAGE	REEL (pcs)	PITCH OF BODY (m/m)	CARTON SIZE (m/m)	CARTON (EA)	APPROX. GROSS WEIGHT(Kg)
DO-27	1,200	5.0	360x350x430	6,000	11.2
DO-201AD	1,200	5.0	360x350x430	6,000	11.2
DO-41	5,000	5.0	350x350x350	20,000	10.5
DO-15	4,000	5.0	350x350x350	16,000	10.0
DO-35	1,200	10.0	350x350x350	4,800	9.2
R-6	750	10.0	350x350x350	3,000	7.8
SMA	1,800/7,500	4.0	350x350x350	144,000/120,000	19.5/16.6
SMB	500/3,000	8.0	364x356x340	40,000/48,000	12.6/13.1
SMC	500/3,000	4.0	364x356x340	30,000/42,000	15.6/18.6
MELF	5,000	4.0	364x356x340	80,000	19.0
DL-35	2,500	8.0	350x350x440	100,000	13.2

## AMMO BOX PACKAGING ( T/B )

PACKAGE	AMMO (pcs)	PITCH OF BODY (m/m)	BOX SIZE (m/m)	CARTON SIZE (m/m)	CARTON (EA)	APPROX. GROSS WEIGHT(Kg)
DO-27	1,200	5.0	210x75x140	470x275x235	12,000	19.5
DO-201AD	1,200	5.0	210x75x140	470x275x235	12,000	19.5
DO-41	5,000	5.0	255x85x105	410x350x275	50,000	19.0
DO-15	2,000	5.0	255x85x105	465x275x240	20,000	11.0
DO-35	800	10.0	255x85x105	465x275x240	8,000	13.0
R-6	300	10.0	255x85x85	4.5x275x240	3,000	9.0

## BULK PACKAGING

PACKAGE	BOX (EA)	BOX SIZE (m/m)	CARTON SIZE (m/m)	CARTON (EA)	APPROX. GROSS WEIGHT(Kg)
DO-41	1,000	185x83x20	450x210x250	50,000	19.2
DO-15	500	203x83x254	465x275x233	12,000	17.0
DO-27	500	305x75x40	350x350x350	12,000	18.0
DO-201AD	500	305x75x40	350x350x350	12,000	18.0
R-6	200	305x75x40	350x350x350	4,800	14.0
DB	5,000	500x160x150	510x330x160	10,000	9.0
MB-S	5,000	500x160x150	510x330x160	10,000	9.0
RB15	1,000	210x202x70	480x230x440	10,000	14.5
WOM	1,000	210x202x70	480x230x440	10,000	14.5
RS1	600	215x110x35	410x210x195	5,000	11.0
KBP	500	195x195x35	440x230x023	5,000	13.0
RS2	500	230x220x40	420x340x175	6,000	17.0
KBL	500	230x230x50	480x240x180	3,000	19.7
RS4L	500	230x230x50	480x240x180	3,000	19.7
RS5	200	230x230x50	480x240x280	2,000	22.0
KBU	400	230x230x50	480x240x180	2,400	20.8
RS6-25	400	230x230x50	480x240x180	2,400	20.8
GBU	400	230x230x50	480x240x180	2,400	20.8
KBJ	400	195x195x35	420x210x260	2,500	19.0
KBPC1	200	200x200x45	420x210x260	2,000	10.6
KBPC6	200	200x200x45	420x210x260	2,000	10.6
BR3	200	200x200x45	420x210x260	2,000	10.6
BR6	200	200x200x45	420x210x260	2,000	10.6
KBPC8	200	230x230x50	480x240x280	2,000	16.0
BR8	200	230x230x50	480x240x280	2,000	16.0
BR10	200	230x230x50	480x240x280	2,000	16.0
KBPC	50	200x200x45	420x210x260	500	16.3
MP	50	200x200x45	420x210x260	500	11.8
MP-S	120	220x220x40	440x230x230	1,200	22.0
TO-220	1,000	555x155x95	560x300x180	5,000	14.5
TO-3P	500	555x155x95	560x300x180	2,000	16.8





台北總公司- *Taipei Headquarter*

長虹電子有限公司

**SEP ELECTRONIC CORP.**

23511新北市中和區建八路16號16樓之4  
16F.-4, No.16, Jian 8th Rd., Zhonghe District,  
New Taipei City 23511, Taiwan, R.O.C.  
TEL: 886 2 8226 3823  
FAX: 886 2 8226 3359



上海廠- *Shanghai Factory*

上海江宏電子有限公司

**SHANGHAI SEPELECTRONIC CO, LTD.**

201404上海市奉賢區金匯鎮綜合經濟園區紅新路18號  
No.18, Hongxin Rd., Jinhui Industrial zone,  
Jinhui Town, Fengxian District 201404, Shanghai, China  
TEL: 86 21 5748 9883  
FAX: 86 21 5748 9667



**Web Site**

**<http://www.sep-semi.com>**

**E-mail**

**[sales@sep-semi.com](mailto:sales@sep-semi.com)**

©SEP ELECTRONIC CORP.

All rights are reserved. Reproduction in whole or in part is prohibited without the prior written consent of the copyright owner.

The information presented in this document does not form part of any quotation or contract, is believed to be accurate and reliable and may be changed without notice. No liability will be accepted by the publisher for any consequence of its use. Publication thereof does not convey nor imply any license under patent- or other industrial or intellectual property rights.